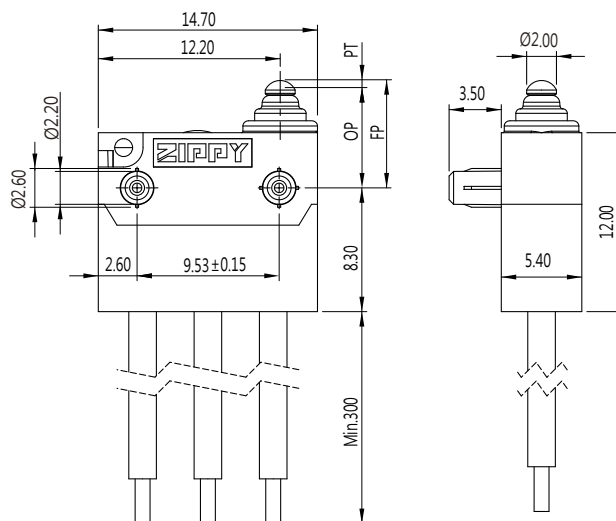


WATER PROOF SWITCHES



DIMENSIONS

Unless otherwise specified, a tolerance of $\pm 0.4\text{mm}$ applies to all dimensions.



DW51 (IP67) SERIES

APPLICATIONS

Automotive (Seat Belt, Door Latch, Engine Hood, Door Trunk), Air Conditioner, Communication, Security System, Electric Tooth Brush, Toy

※ For the specification, please refer to DW51 SERIES. ※

CERTIFICATE INFORMATION

Model Name	UL, cUL	ENEC
DW51-P1 or G1	0.1RA 12 VDC 0.1RA 125 VAC	0.1A 12 VDC 0.1A 125 VAC
DW51-03 or G3	3RA 12 VDC 3GPA 125 VAC	3A 12 VDC 3A 125 VAC

ORDERING INFORMATION

DW51 — 03 — S — 01 — R — 0 — A — E — A001A — Z

CODE	RATING CURRENT	CODE	OPERATING FORCE	CODE	ACTUATOR TYPE	CODE	WIRE SIDE	CODE	CIRCUIT ARRANGEMENT	CODE	PILLAR TYPE	CODE	AWG TYPE	CODE	UL NUMBER	SPECIAL CODE	ROHS CODE
G1	0.1A 125VAC Contact plated gold	S	STANDARD	00		O		0	S.P.D.T	A		E	20	A	UL 1007		
P1	0.1A 125VAC			01		R		1	S.P.S.T NO	B		F	22	C	UL 1430		
G3	3A 125VAC Contact plated gold					L		2	S.P.S.T NC	C		G	24	D	UL 1061		
03	3A 125VAC									D		H	26				

DIMENSIONS

CODE	L1	H	ΦA	ΦB	ΦC	ΦD	P
A	5.0	3.7	2.2	2.6	2.2	2.6	9.53
B	2.0	3.7	2.2	2.6	2.2	2.6	9.53
B	3.5	3.7	2.2	2.6	2.2	2.6	9.53

CAUTIONS:

注意事項

1. Do not handle the switch in a way that may cause damage to the sealed rubber & switch sealing.
使用開關時，請勿損壞開關防水矽膠罩及開關防水膠。
2. To ensure the best performance of the switch, when handling/installing the switch, please do not apply uneven pressure to the direction indicated by the arrow in Figure 1. Any uneven pressure or pressure direction other than the operating direction might be harmful or damage the switch performance.
為確保開關正常運作，安裝及取用開關時，請勿直接施加壓力在圖-1中箭頭所指示的方向。如圖所示，任何不對稱的壓力或作動方向以外的壓力都不適用在開關按柄上。
3. Do not exceed the end position (EP) and over travel (OT). This could cause operation failure. (Figure-2)
圖示設計按壓位置，請勿超過開關下死點及超出行程，以避免開關失效。(圖2)
4. Avoid applying any grease/oil and chemicals on the switch rubber.
請避免沾附任何油脂或者化學物質在開關的矽膠防水罩上。

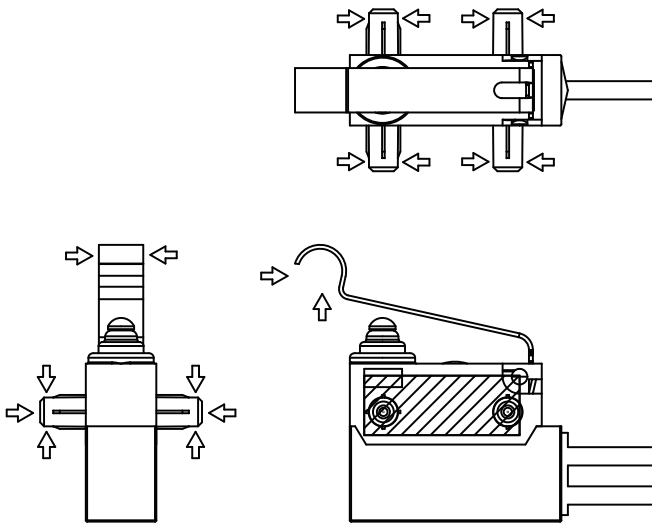


Figure-1

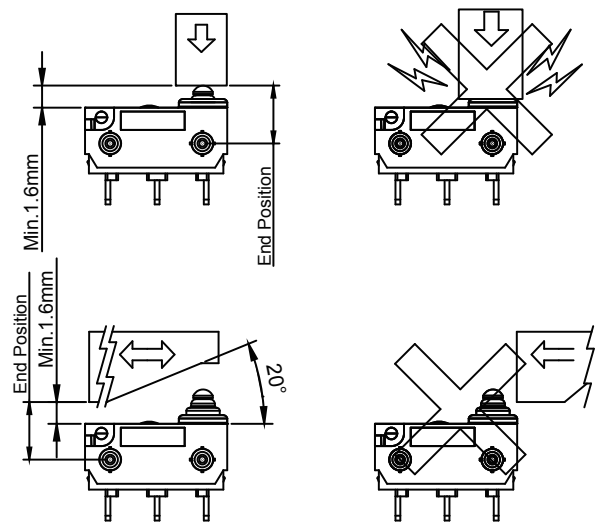


Figure-2