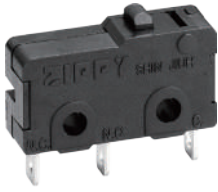
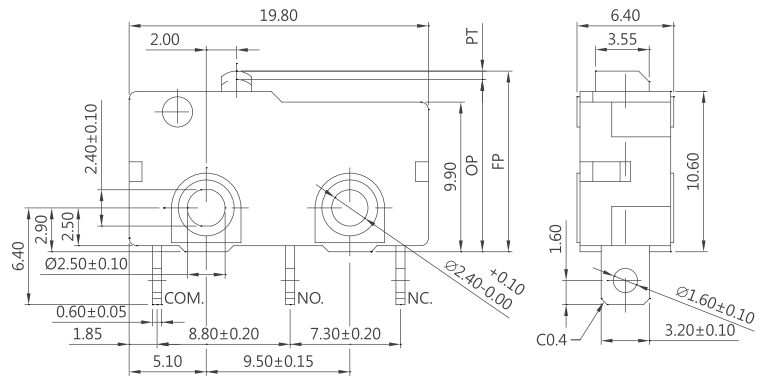


# MICRO SWITCHES



## DIMENSIONS

Unless otherwise specified, a tolerance of  $\pm 0.4\text{mm}$  applies to all dimensions.



## SM SERIES

### SPECIFICATIONS

#### Contact Resistance(initial)

Max. 300 m $\Omega$

Measured by ohm meter - open voltage < 1VDC, driver current -100 mA

#### Insulation Resistance (at 500 VDC / minute)

Min. 100 M $\Omega$

#### Dielectric Strength

Min. 1000VAC(50-60HZ)/minute between Live parts.

Min. 1250VAC(50-60HZ)/minute between Live parts and dead metal parts

#### Operating Temperature Range

-40°C to 120°C ( with no icing )

#### Vibration

10~55Hz, displacement 0.75 mm (p-p)

#### Electrical Service Life

0.1A - Min. 1,000,000 operations

Other rating - Min. 10,000 operations

#### Electrical Operating Frequency

10~30 operations per minute

#### Mechanical Service Life

Min. 10,000,000 operations

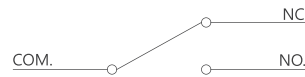
#### Mechanical Operating Frequency

120 operations per minute

#### Operating application of the switch

Set the switch pushing distance from 60% to 90% of the specified OT value

### CONTACT CONFIGURATION



### CERTIFICATE INFORMATION

Model Name	UL, cUL
SM-P1	0.1A 125/250VAC 0.1A 30VDC (Temp:120°C) Min. 10,000 operations
SM-G1	0.1A 125/250VAC 0.1A 30VDC (Temp:120°C) Min. 10,000 operations
SM-O5	5A 125/250VAC 5A 30VDC (Temp:120°C) Min. 10,000 operations
SM-G5	5A 125/250VAC 5A 30VDC (Temp:120°C) Min. 10,000 operations

### APPLICATIONS

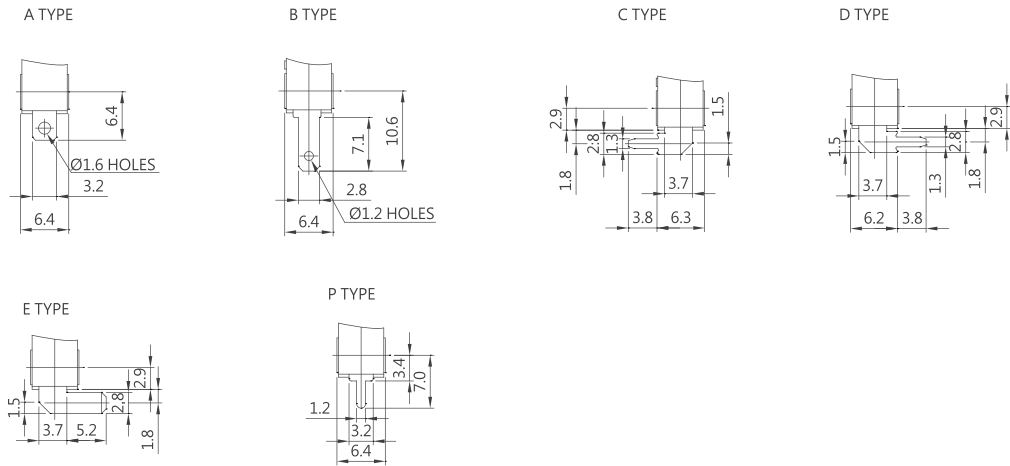
Telephone, Air conditioner, Computer, Humidifier, Alarm, Time recorder, Mixer & Chopper, Solder gun, Neon phone, Fax machine, Joystick, Water pump, Gas detector, Pencil sharpener, Money sorter, Food processor, Electric knife, Toy car, Juicer, Electric steak pan.

### THE SELECTION OF RATING & FORCE

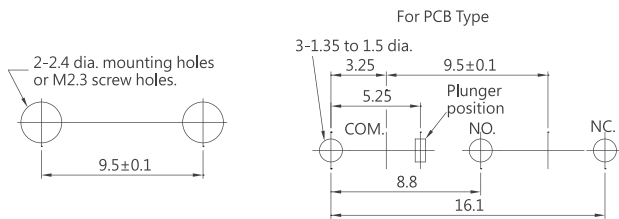
MODEL	Rating	D	L	S	H	Q	T
SM	0.1A	*	*	*	*	*	*
	5A			*	*	*	*

NOTE : The Symbol " \* " to represent the result is accepted

**TERMINAL TYPES** (The thickness of each terminal is 0.6mm)



**MOUNTING HOLES**



**ORDERING INFORMATION**

S M	0 5	S	0 3	P	0	Z
SERIES PREFIX	RATING CURRENT	OPERATING FORCE	ACTUATOR TYPE	TERMINAL TYPE	CIRCUIT ARRANGEMENT	ROHS CODE
P1	0.1A 125/250VAC	T MAX HEAVIER	00	A	0 S.P.D.T.	
05	5A 125/250VAC	Q HEAVIER	01	B	1 S.P.S.T. NO	
		H HEAVY	02	C	2 S.P.S.T. NC	
		S STANDARD	03	D		
		L LIGHT	04	E		
		D SLIGHT	:	P		

#NOTE		
ITEM	Rating Current	OPERATING FORCE
1	Code:P1	T,Q,H,S,L,D
2	Code:05	T,Q,H,S

OPERATING CHARACTERISTICS

SWITCH TYPE	PART SUFFIX	OF Max. (gf)		OP (mm)	PT Max. (mm)	OT Min. (mm)	MD Max. (mm)	FP Max. (mm)	RF Min. (gf)
		H	S						
SM- □□□ -00 □□ -Z		H	249	11.4±0.3	1.1	0.4	0.2	12.2	50
		S	146						35
		L	104						20
SM- □□□ -01 □□ -Z		H	66	11.8±0.8	3.6	0.6	0.8	14.6	9
		S	40						6
		L	30						3
SM- □□□ -02 □□ -Z		H	58	11.8±0.9	4.0	0.6	0.8	14.9	9
		S	36						6
		L	25						6
SM- □□□ -03 □□ -Z		H	45	11.8±1.5	6.1	0.8	1.5	16.4	6
		S	28						4
		L	20						5
SM- □□□ -04 □□ -Z		H	56	13.7±1.0	4.6	0.8	0.8	17.3	13
		S	34						8
		L	25						5
SM- □□□ -05 □□ -Z		H	60	17.5±0.8	3.8	0.8	0.8	20.5	15
		S	35						8
		L	25						6
SM- □□□ -06 □□ -Z		H	48	19.0±1.5	5.7	1.0	1.0	23.2	10
		S	28						6
		L	20						4
SM- □□□ -07 □□ -Z		H	30	11.8±2.0	8.6	1.5	1.8	18.4	7
		S	20						4
		L	15						2
SM- □□□ -08 □□ -Z		H	30	-2.3±3.0	6.0	1.0	1.9	5.4	3
		S	20						4
		L	15						2
SM- □□□ -09 □□ -Z		H	18	11.8±3.0	13.3	1.0	2.9	22.1	4
		S	12						2.5
		L	8						1.5

CAUTIONS:  
注意事項

1. To secure the switch, please use an M2.3 small screw on a flat surface and tighten with plane washers or spring washers to securely mount the switch, using a maximum torque of 0.26 N•m.  
若使用定位孔型式，請使用M2.3小型螺絲固定在平面上，並使用平墊圈或者彈性墊圈以便安全的鎖固開關，鎖固扭力請勿超過0.26 N•m.
2. To ensure the best performance of the switch, when handling/installing the switch, please do not apply uneven pressure to the direction indicated by the arrow in (Figure -1). Any uneven pressure or pressure direction other than the operating direction might be harmful or damage the switch performance.  
為確保開關正常運作，安裝及取用開關時，請勿直接施加壓力在(圖-1)中箭所指示的方向。如圖所示，任何不對稱的壓力或作動方向以外的壓力都不適在開關按柄上。

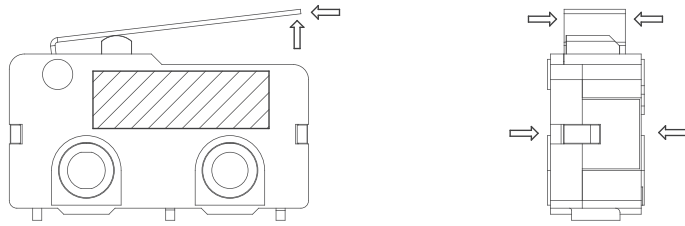


Figure-1