

# BExBGL2 Explosion Proof L.E.D. Status Light & Beacon

The flameproof BExBGL2 L.E.D., 160 candela multi-function beacon is suitable for Zone 1, 2, 21 & 22 applications. Approved to IECEx and ATEX standards. SIL1 compliant.

The BExBGL2 explosion proof Ex d LED status light & beacon utilises an array of high power Cree® LED's, orientated to optimise visibility in any direction.

The beacon can be configured as a steady beacon for status indicator use, with a light output of up to 87 candela. Alternatively one of the five flashing modes, with a light output of up to 160 candela, may be used for warning applications. DC voltage versions feature three remotely selectable stages enabling multiple warnings to be signaled from one device. The UV stable colour filter enhances the light output and is field replaceable.

## Features

- Marine grade, corrosion proof, LM6 aluminium enclosure
- Ingress protection IP66/67
- Choice of five flash rates: 1Hz, 1.5Hz, 2Hz, double and triple flash.
- High and low power Steady On modes
- Three remotely selectable stages/channels on DC versions.
- Glass lens & Stainless Steel guard
- UV stable PC field replaceable lens colour filter
- Stainless steel fixings
- Dual cable entries
- Duplicate cable terminations (in & out for daisy-chain installations)
- Ratchet adjustable stainless steel 'U' bracket.

## Approvals

- IECEx KEM 10.0002X
- ATEX KEMA 00ATEX2006X
- SIL 1 compliant to IEC 61508 (2010)
- TR-CU Ex EAC certificate: RU C-GB.HA65.B.01252\_21
- INMETRO certificate: IEx\_10.0010X

## Coding

- II 2G Ex db IIC T6 Gb Ta. -50°C to +60°C
- II 2G Ex db IIC T5 Gb Ta. -50°C to +70°C
- II 2D Ex tb IIIC T60°C Db Ta. -50°C to +40°C
- II 2D Ex tb IIIC T75°C Db Ta. -50°C to +55°C
- II 2D Ex tb IIIC T90°C Db Ta. -50°C to +70°C



## Specification

Source:	Array of 4 x High Power Cree® LED's
Modes:	1Hz flash (60 fpm) 1.5Hz flash (90 fpm) 2Hz flash (120 fpm) Double strike flash Triple strike flash High Power Steady Low Power Steady
Eff. Intensity cd:	87 cd – High Power Steady
Eff. Intensity cd:	160 cd – 1Hz flash
Lens colours:	Amber, Blue, Clear, Green, Magenta, Red & Yellow
Voltages DC:	24V dc (18-54V dc)
Voltages AC:	115V ac; 230V ac
Ingress protection:	IP66/67
Enclosure matl:	Marine grade copper free LM6 Aluminium
Enclosure finish:	Chromate & powder coated finish – anti-corrosion.
Colour:	RAL3000 Red (others available on request)
Cable entries:	Dual M20 ISO (one stopping plug inc)
Terminals:	0.5 – 2.5mm <sup>2</sup> (20-14 AWG)
Enclosure volume:	<2 litres
Line monitoring:	Blocking diode included EOL Min. 500 Ohm 2w, or 3k3 Ohm 0.5w resistor or diode (DC versions) can be fitted
LED life:	60,000 hours
Grounding stud:	M5
Temperature range:	-50° to +70°C (-58°F to +158°F)
Relative humidity:	95% – Additional tropicalisation is recommended for applications where both high relative humidity and high ambient temperatures exist
Weight:	DC:2.45kg/5.39lbs AC: 2.75kg/6.05lbs
*All candela data is representative of performance with clear lens at optimum voltage.	
Accessories:	SP65-0001-A2 Pole Mount Bracket Kit 2" St/St A2 SP65-0001-A4 Pole Mount Bracket Kit 2" St/St A4 SP65-0003-A2 Sunshade – St/St A2 (304) SP65-0003-A4 Sunshade – St/St A4 (316)

## Part Codes

Version:	Part code:	Description:
Product:	BExBGL2	LED Multi-function Beacon
Type:	DP	Ex d, UV stable PC lens coloured filter
Voltage:	DC024 AC115 AC230	18-54V dc 103.5-126.5V ac 207-253V ac
Cable Entry Type:	A B C D E F G	2 x M20x1.5mm 2 x 1/2" NPT – adaptors 2 x 3/4" NPT – adaptors 2 x M25x1.5mm – adaptors 1 x 1/2" NPT – adaptor 1 x 3/4" NPT – adaptor 1 x M25x1.5mm – adaptor
Adaptor/Stopping plug material: [m]	B N S	Brass Nickel Plated Stainless Steel
Bracket/guard matl & tag: [s]	1 2 3 4	A2 304 Stainless Steel A4 316 Stainless Steel A2 304 St/St with Equip. Tag A4 316 St/St with Equip. Tag
Product version: [v]A1		IECEx & ATEX Group II 2G/D Zone 1, 2, 21 & 22 – SIL 1
Enclosure colour: [x]	R S	Red RAL3000 Special contact E2S
Lens colour: [y]	A, B, C, G M, R, Y	Amber, Blue, Clear, Green Magenta, Red, Yellow
Accessories:	SP65-0001-A4 SP65-0003-A4	Pole Mount Bracket Kit 2" St/St A4 (316) Sunshade – St/St A4 (316)

## Multi-function patterns

Stage 1: [On board]	Stage 2: [Remote activation]	Stage 3: [Remote activation]
Steady High Power	Flashing 1Hz	Triple Strike
Steady Low Power	Flashing 1Hz	Triple Strike
Flashing 1Hz	2x Flash 2Hz	Triple Strike
Flashing 1.5Hz	Flashing 2Hz	Double Strike
Flashing 2Hz	Triple Strike	Triple Strike
Double Strike	Steady High Power	Triple Strike
Triple Strike	Flashing 2Hz	Double Strike

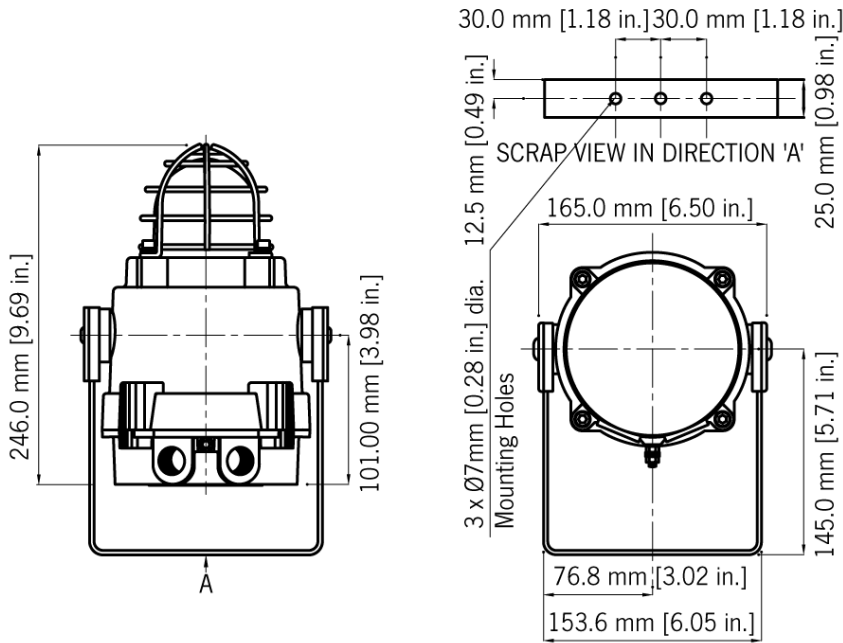
Note: Remote second and third stage on DC units only

Double strike: 150ms on, 150ms off x 2, 600ms off

Triple strike: 150ms on, 150ms off x 3, 600ms off

## Current Consumption

Version:	In Rush:	Voltage:	Steady High Power:	Steady Low Power:	Flashing 1Hz:
24V dc	1.89A 0.22ms	18-54V dc	240mA	134mA	110mA
115V ac	1.15A 12ms	103.5-126.5V ac 50/60Hz	95mA	78mA	90mA
230V ac	0.67A 12ms	207-253V ac 50/60Hz	48mA	37mA	45mA



## Assemblies

Assemblies:

The products from the BEx range are available as multiple unit assemblies pre-wired with and without junction boxes. See the BExP data sheet for further info or contact E2S sales.