

## 熔断器组件 D001 GEV07 Series



# GRELEC INTERNATIONAL FAST FUSE

1-32A/ DC 600/1000V

### 命名方式:

<b>GEV</b>	<b>07</b>	<b>06</b>	<b>10</b>	<b>XXX</b>
壳体编码:	07			
额定电压:		06=600 Vdc 10=1000 Vdc		
额定电流:			01, 02, 03, 04, 05, 06, 08, 10, 12, 15, 20, 25, 30, 32A	
客户代码:				"XXX"=数字或字母 厂家自定义

600/1000 Vdc • 1- 32A



RoHS

#### 特性:

- 行业首创新能源领域密封设计，可满足苛刻领域应用场景
- 紧凑式设计，引线式密封连接，整体结构更安全
- 99.99%纯银熔体材料，纯紫铜触头体现卓越性能，超低功耗
- 超紧凑的尺寸和功率密度
- 产品的设计满足符合标准：IEC60269-6 GB/T13539-6
- 印有可追溯二维码

#### 应用:

- 轨道交通，电动汽车，船舶行业应用；
- 储能系统，动力系统；
- 电池包断路保护单元；
- 电动汽车电源管理及保护；
- 充放电设备，充放电测试设备等

### 技术参数:

额定电压		DC 600/1000V
额定电流		1 ~ 32A
使用类别		aR
分断能力		DC 30kA
时间常数		L/R=1-3ms
性能参考标准		UL248 / GBT 31465
湿度	运输储存	不大于90%无凝露
温度	运输储存	-40°C ~ 120°C
温度	包装储存	-40°C ~ 70°C
使用温度	正常	-5°C ~ 40°C
使用温度	允许	-40°C ~ 85°C
海拔	正常海拔 允许使用	2000m 2000-4500m
重量		约125g

**型号参数:**

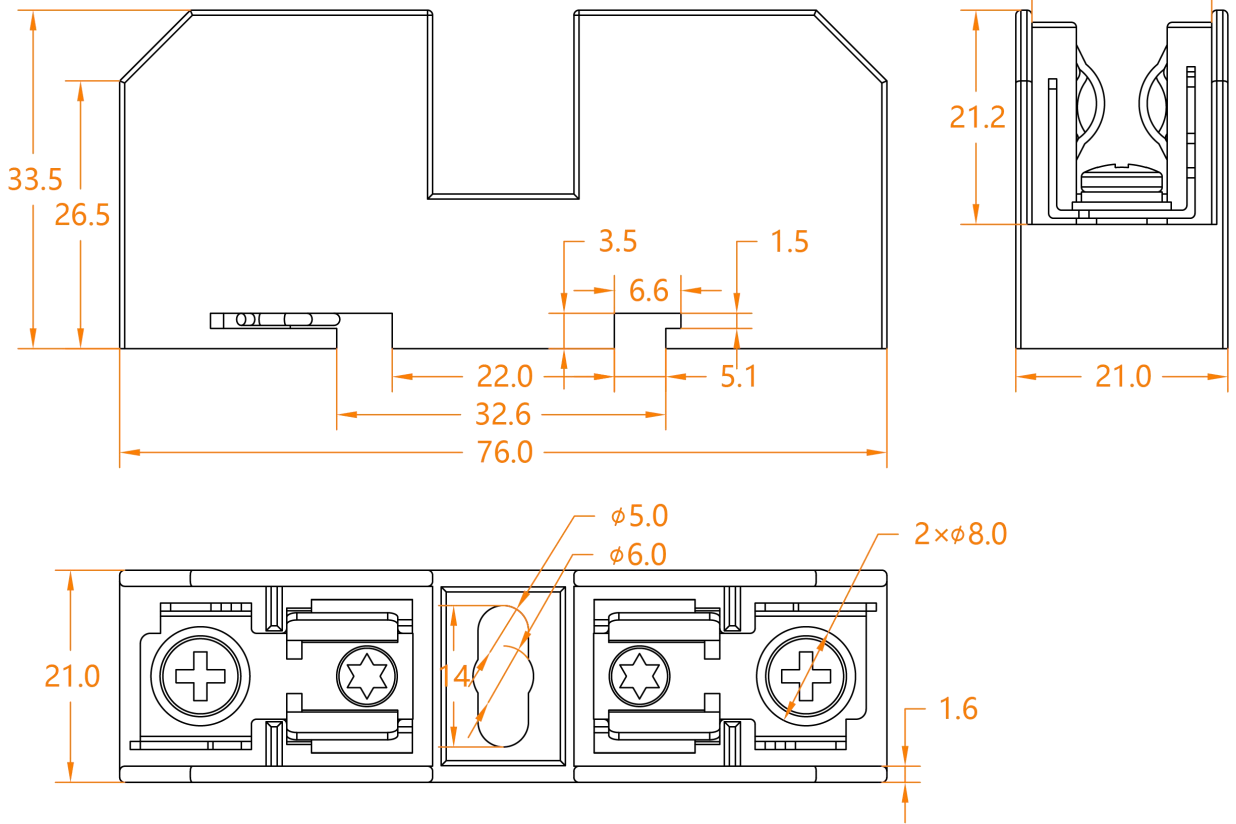
产品编号	产品型号	额定电流	额定电压	熔芯尺寸	包装/箱/重量
1-160011-0	GEV070601	1	DC 600V	10*38mm	20Pcs/Box/2.5Kg
1-160011-1	GEV070602	2	DC 600V	10*38mm	20Pcs/Box/2.5Kg
1-160011-2	GEV070603	3	DC 600V	10*38mm	20Pcs/Box/2.5Kg
1-160011-3	GEV070604	4	DC 600V	10*38mm	20Pcs/Box/2.5Kg
1-160011-4	GEV070605	5	DC 600V	10*38mm	20Pcs/Box/2.5Kg
1-160011-5	GEV070606	6	DC 600V	10*38mm	20Pcs/Box/2.5Kg
1-160011-6	GEV070608	8	DC 600V	10*38mm	20Pcs/Box/2.5Kg
1-160011-7	GEV070610	10	DC 600V	10*38mm	20Pcs/Box/2.5Kg
1-160011-8	GEV070612	12	DC 600V	10*38mm	20Pcs/Box/2.5Kg
1-160011-9	GEV070615	15	DC 600V	10*38mm	20Pcs/Box/2.5Kg
1-160012-0	GEV070620	20	DC 600V	10*38mm	20Pcs/Box/2.5Kg
1-160012-1	GEV070625	25	DC 600V	10*38mm	20Pcs/Box/2.5Kg
1-160012-2	GEV070630	30	DC 600V	10*38mm	20Pcs/Box/2.5Kg
1-160012-3	GEV070632	32	DC 600V	10*38mm	20Pcs/Box/2.5Kg
1-160012-4	GEV071001	1	DC 1000V	10*38mm	20Pcs/Box/2.5Kg
1-160012-5	GEV071002	2	DC 1000V	10*38mm	20Pcs/Box/2.5Kg
1-160012-6	GEV071003	3	DC 1000V	10*38mm	20Pcs/Box/2.5Kg
1-160012-7	GEV071004	4	DC 1000V	10*38mm	20Pcs/Box/2.5Kg
1-160012-8	GEV071005	5	DC 1000V	10*38mm	20Pcs/Box/2.5Kg
1-160012-9	GEV071006	6	DC 1000V	10*38mm	20Pcs/Box/2.5Kg
1-160013-0	GEV071008	8	DC 1000V	10*38mm	20Pcs/Box/2.5Kg
1-160013-1	GEV071010	10	DC 1000V	10*38mm	20Pcs/Box/2.5Kg
1-160013-2	GEV071012	12	DC 1000V	10*38mm	20Pcs/Box/2.5Kg
1-160013-3	GEV071015	15	DC 1000V	10*38mm	20Pcs/Box/2.5Kg
1-160013-4	GEV071020	20	DC 1000V	10*38mm	20Pcs/Box/2.5Kg
1-160013-5	GEV071025	25	DC 1000V	10*38mm	20Pcs/Box/2.5Kg
1-160013-6	GEV071030	30	DC 1000V	10*38mm	20Pcs/Box/2.5Kg
1-160013-7	GEV071032	32	DC 1000V	10*38mm	20Pcs/Box/2.5Kg

### 外形尺寸:

#### 一般公差

小于10: ±0.5 / 10-50: ±1 / 大于50: ±2

#### Dimensions (mm)



### 使用说明:

- 1) 熔断器安装时，相邻两个熔断器带电零件的最小间隙满足绝缘要求，必要的话在熔断器之间装绝缘隔板，以防止带电更换熔断器时引起相间短路；
- 2) 推荐长期通流电流值不大于额定负载电流的80%；
- 3) 结合电气设备定期检修，进行检查和维护保养，清除尘埃、接触导电部位的氧化层等；
- 4) 对有机机械损伤的熔断器必须进行更换；
- 5) 除非使用要求允许，如熔断器式负荷开关，否则请勿带负载更换熔断器；
- 6) 产品寿命期间无任何废气、粉尘、噪音等影响环境因素的产生；
- 7) 产品寿命终结后金属件可回收，非金属件粉碎后可作为一般工业垃圾处置，对环境不会造成二次污染；
- 8) 熔断器意外跌落后，原则上不建议使用跌落过的产品。

#### 声明/Statement:

本产品规格书仅供客户使用时参考，若有更改，恕不另行通知。  
客户应根据具体的使用条件选择与之相匹配的产品。若有疑问，请与GRELEC联系获取更多的技术支持，但产品选型责任由客户承担。

## LET'S CONNECT

We make it easy to connect with our experts and are ready to provide all the support you need. Just call your local support number or visit [www.grinternational.uk/industrial](http://www.grinternational.uk/industrial) to chat with a Product Information Specialist.

## Technical Support

<http://grinternational.uk/Contactus/>

Skype: [info@grinternational.uk](mailto:info@grinternational.uk)

Email: [info@grinternational.uk](mailto:info@grinternational.uk)  
[sales@grinternational.uk](mailto:sales@grinternational.uk)

Tel: +44 (0) 2131 46196  
+86 (21) 5770 9580  
+86 (755) 2327 2653



grinternational.uk

GR, GCTECH, GREENRELAY, LCIT, GR, GR INTERNATIONAL GROUP and the GR INTERNATIONAL GROUP (logo) are trademarks of the GR INTERNATIONAL GROUP family of companies. Other products, logos, and company names mentioned herein may be trademarks of their respective owners.

While GR INTERNATIONAL (GR) has made every reasonable effort to ensure the accuracy of the information herein, nothing herein constitutes any guarantee that such information is error-free, or any other representation, warranty or guarantee that the information is accurate, correct, reliable or current. The TE entity issuing this publication reserves the right to make any adjustments to the information contained herein at any time without notice. All implied warranties regarding the information contained herein, including, but not limited to, any implied warranties of merchantability or fitness for a particular purpose are expressly disclaimed. The dimensions herein are for reference purposes only and are subject to change without notice. Specifications are subject to change without notice.

Consult GR for the latest dimensions and design specifications.

© 2016 GR INTERNATIONAL GROUP. family of companies All Rights Reserved.

0-000000-0 12/12