



St. steel pressure gauge De Wit model 91/100 fillable

## Stainless steel bourdon tube pressure gauges in safety execution De Wit 91(V) series

**91 series** - For measuring air, water, oil and aggressive media which do not harm AISI 316. Ideal for outside mounting as on refineries, chemical installations, food processing industry, ships and in areas with aggressive fluids.

**91V series** - Glycerine filled gauges for pumps, compressors, hydraulic presses and other applications where it is necessary to protect the internals against vibrations or pulsations. Also recommended to exclude condensation (outdoor installation). Not for use in chlorine or oxygen service!

### Standard specifications

- Case size:	63 mm - 100 mm - 160 mm
- Case material:	stainless steel AISI 304
- Execution:	fillable (airvent on top = blow-out device and filler plug)
- Bezel:	bayonet lock, polished stainless steel AISI 304
- Environmental rating:	IP65
- Dial:	aluminium, white with black markings
- Ranges:	
vacuum:	-1/0 bar
compound:	up to 24 bar
pressure:	
size 63 mm	0-0,6 bar up to 1000 bar
size 100 mm and 160 mm	0-0,6 bar up to 1600 bar
or all other equivalent ranges	
- Accuracy:	
size 63 mm	cl. 1,6 to EN 837-1
size 100 mm and 160 mm	cl. 1,0 to EN 837-1
- Pressure connection:	stainless steel AISI 316
size 63 mm	1/4" NPT male or 1/4" BSP male
size 100 mm and 160 mm	1/2" NPT male or 1/2" BSP male
- Pressure element:	stainless steel AISI 316 bourdon tube (C-shaped up to 60 bar, spiral wound for pressures from 100 bar)
- Movement:	stainless steel AISI 304
- Pointer:	aluminium, black enamelled, micro-adjustable for size 100 mm and 160 mm
- Window:	laminated safety glass
- Glycerine filling	80 % glycerine, 20 % water (add V to model number)
- Identification	unique serial number on dial
- Overload (EN 837-1):	
size 63 mm:	
steady	0,75 x full scale value
fluctuating	0,65 x full scale value
short time	full scale value

size 100 mm and 160 mm:

steady	full scale value
fluctuating	0,9 x full scale value
short time	1,3 x full scale value

- Temperature limitations:

ambient	dry gauge	-40 to + 60 degr.C.
	glycerine filled gauge	-20 to + 60 degr.C.
medium	dry gauge	up to 200 degr.C.
	glycerine filled gauge	up to 100 degr.C.

- Reference temperature:

Calibration reference temperature + 20 degr.C.

- Temperature effect:

deviation max. +/- 0,4 %/10K of full scale value

### Options / Special executions

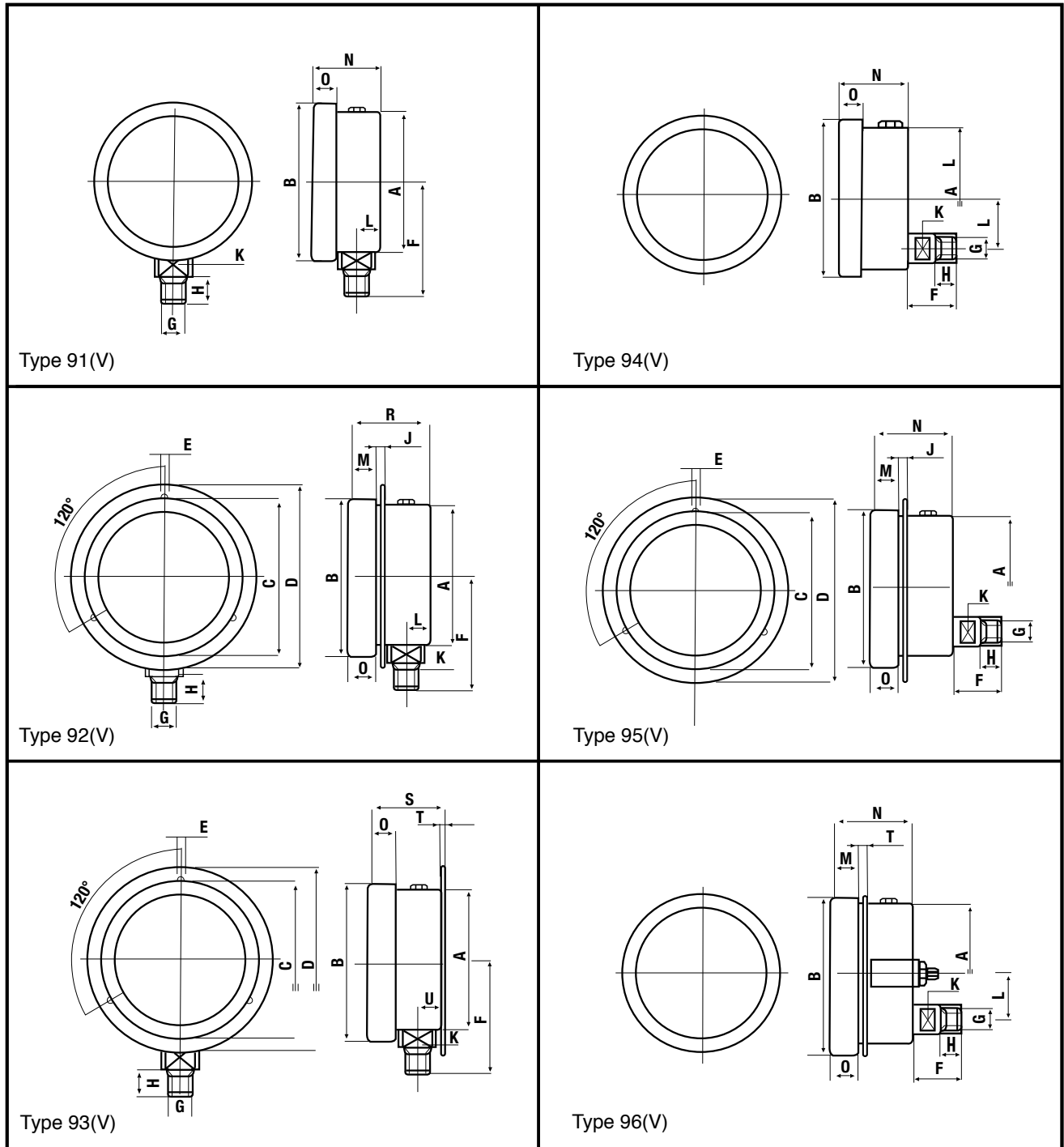
- Case size 250 mm
- Case and ring material stainless steel AISI 316
- Other pressure ranges and/or scales
- Customised dial (company logo, special inscriptions, coloured bands etc)
- Other pressure connections
- Upper/side connection (radial at 3 o'clock, 9 o'clock or 12 o'clock)
- Wetted parts MONEL 400 (to NACE)
- Oilfree & degreased execution for use with OXYGEN (this execution is not in accordance with EN 837-1)
- Mounting on diaphragm seal unit De Wit 141 series
- Restrictor screw
- Adjustable maximum driven pointer
- Window material perspex or makrolon
- Rubber compensation blow out disc at the back of the case
- Configuration suitable for ambient temperature of -40 degr.C.
- Electrical contacts

### Accessoires

St. steel cooling syphon De Wit model 7460SS (pigtail type)

St. steel overrange protector De Wit model 7480SS (max. working pressure 700 bar)

St. steel adjustable shockabsorber De Wit model 7477R



Type	Dia	ØA	ØB	p.c.C	ØD	ØE	F	G	H	J	K	L	M	N	O	R	S	T	U
91(V),92(V),93(V)	Ø 63	62	68	75	85	3,6	58	¼"NPT	15	3	14	9,5	13	31	12	38	35	4	13,5
	Ø 100	99	112	116	132	4,2	87	½"NPT	20	3,5	22	15	19	49	17	54	51	5,5	19
	Ø 160	159	172	178	196	5,8	118	¾"NPT	20	3,5	22	16	20	50	17	55	54	7	22
94(V),95(V),96(V)	Ø 63	62	68	75	85	3,6	24	¼"NPT	15	3	14	18	13	38	12			1	
	Ø 100	99	112	116	132	4,2	41	½"NPT	20	3,5	17	34	19	49	17			1,3	
	Ø 160	159	172	178	196	5,8	41	¾"NPT	20	3,5	17	52	20	55	17			1,3	

### Ordering Information

Model - Size - Range - Measuring Unit - Connection thread type and size - Options

Special executions: Please clearly specify your requirements