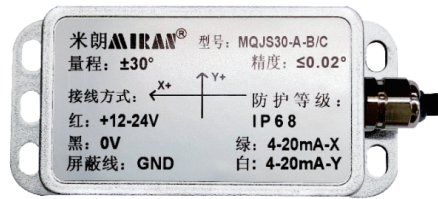


# 倾角传感器

## Tilt Angle Sensor



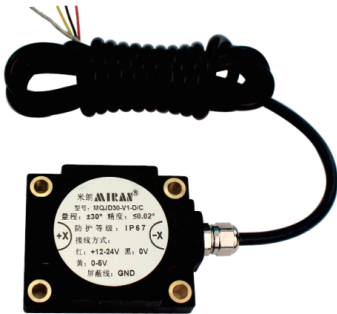
A型 type A



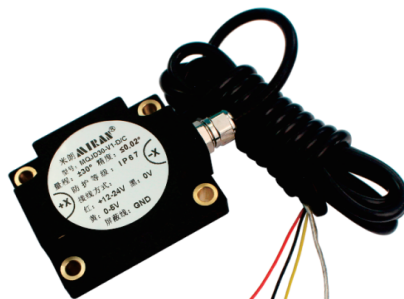
B型 type B



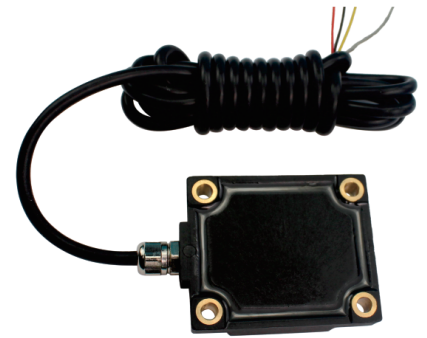
C型 type C



D型 type D



D型 type D



D型 type D

# MQJ/MQJL系列倾角传感器

## MQJ/MQJL SERIES INCLINATION SENSOR

- Demonstration project of one-stop application plan for high-precision sensors of Ministry of Industry and Information Technology of China
- National level specialized and special new "little giant" enterprise, national level high-tech enterprise
- Key products of strong industrial base in China, demonstration enterprise of sensor one-stop application plan of Ministry of Industry and Information Technology of China

# MQJ高精度倾角传感器

## MQJ High Precision Inclination Sensor

### 产品实物图 Product Picture

#### 倾角传感器单轴 Inclination Sensor Single Axis



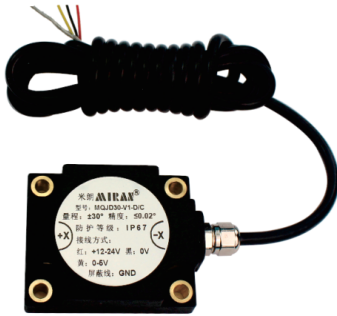
MQJD30-V1-A



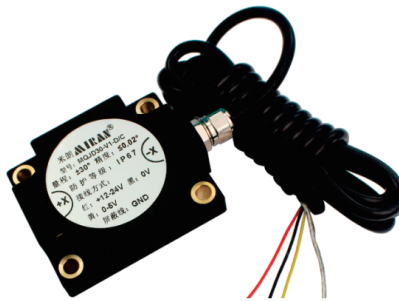
MQJD30-V1-B



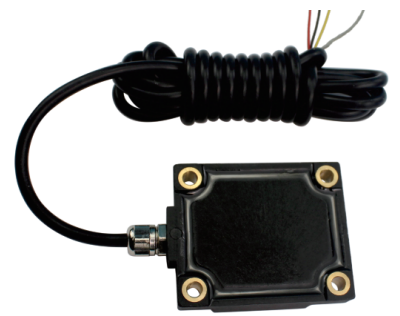
MQJD30-485-C



MQJD30-V1-D

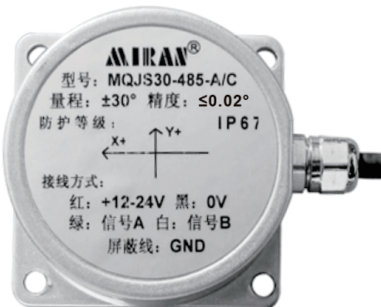


MQJD30-V1-D

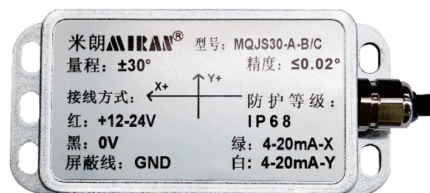


MQJD30-V1-D

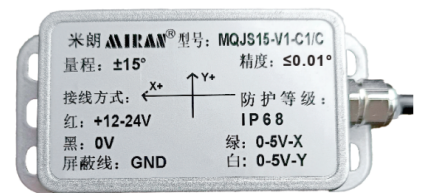
#### 倾角传感器双轴 Inclination Sensor Dual Axis



MQJS30-485-A

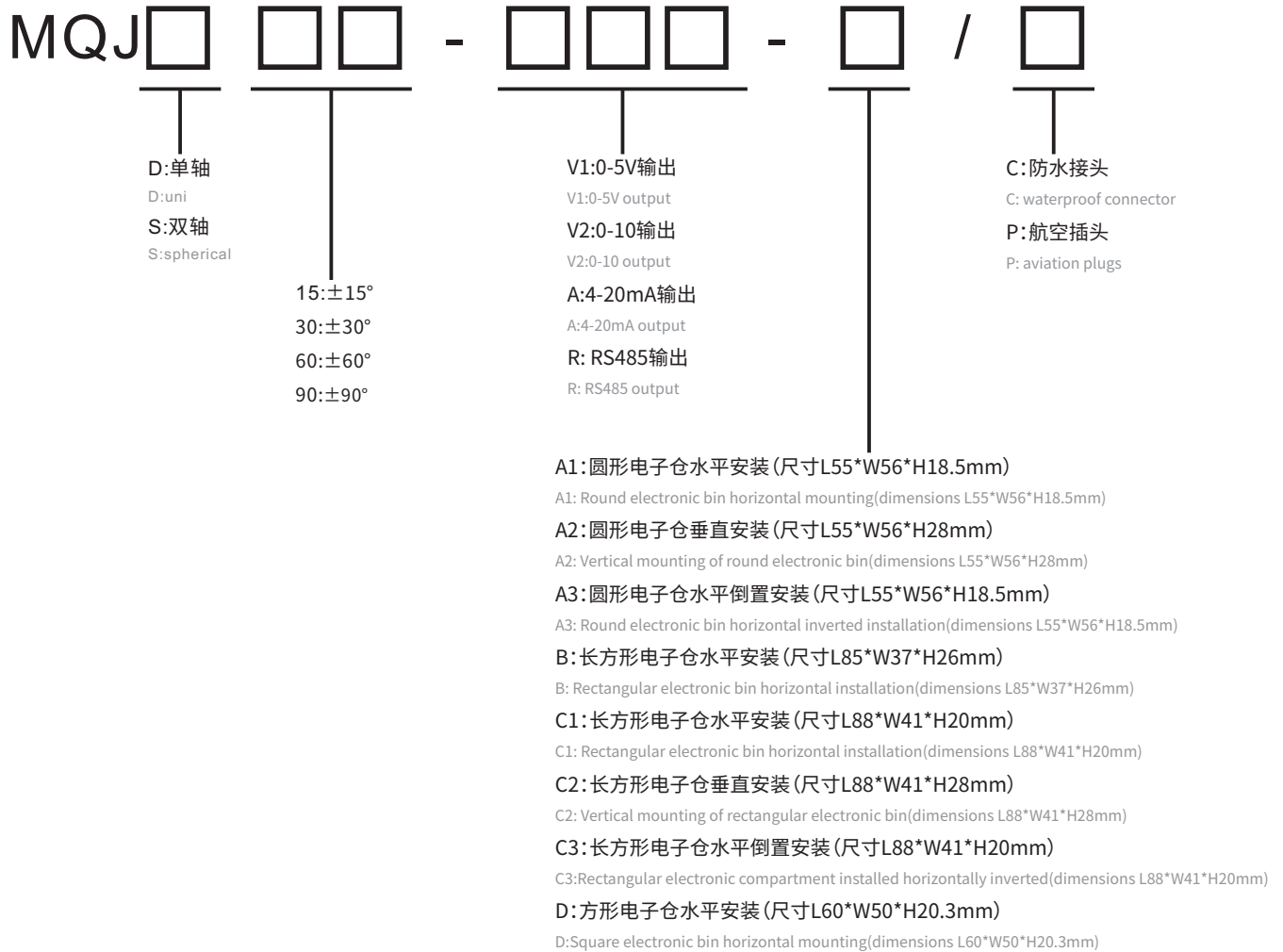


MQJS30-A-B



MQJS15-V1-C1

## 产品型号选型 Product Model Selection



例如Example:

**MQJD30-485-A1-C:** 米朗科技倾角传感器 单轴倾角检测, 测量范围为±30°, 输出方式为RS485输出, 圆形电子仓水平安装方式(外观尺寸L55\*W56\*H18.5mm), 防水接头。如有特殊需求订购时备注。

**MQJD30-485-A1-C:** miran technology inclination sensor single-axis inclination detection, measuring range ±30°, output mode is RS485 output, round electronic compartment horizontal mounting mode (appearance ruler L55\*W56\*H18.5mm), waterproof connector. If you have special needs, please make a note when ordering.

## 产品概述 Product Overview

MQJ系列是米朗科技公司推出的高精度倾角传感器, 最高分辨率可达0.01°, 全量程线性精度高达0.01°, 传感器内部采用高分辨率差分数模转换器, 产品使用高精度的3D-MEMS测量芯片, 内置自动温度补偿和滤波算法, 最大程度减小了因环境变化引起的误差。为使产品在高低温环境中具有优良的性能, 特对产品在-35°C~+60°C范围内进行温度补偿, 有效抑制由温度变化引起的角度数据偏移, 确保测量数据的准确性, 稳定性。

产品外壳采用锌合金压铸成型, 机械强度高, 温度膨胀系数小, 密封性能高, 安装方便、使用简单、体积小、抗外界电磁干扰、承受振动冲击能力强, 是测量测绘, 高层建筑, 公路桥梁, 工业自动化, 工程机械等行业倾角测量的推荐选择。

MQJ series is a high-precision inclination sensor with the highest resolution up to 0.01° and linear accuracy up to 0.01° in full scale. The sensor adopts high-resolution differential digital-to-analog converter, and the product uses high-precision 3D-MEMS measuring chip with built-in automatic temperature compensation and filtering algorithm to minimize the error caused by environmental changes. In order to make the product in the high and low temperature environment has excellent performance, special products in the -35 °C ~ +60 °C range of temperature compensation, effective suppression of temperature changes caused by the angular data offset, to ensure the accuracy and stability of the measurement data.

The product shell adopts zinc alloy die-casting molding, high mechanical strength, temperature expansion coefficient is small, high sealing performance, easy to install, simple to use, small size, anti-external electromagnetic interference, bear vibration impact ability, is the measurement of surveying and mapping, high-rise buildings, highways and bridges, industrial automation, engineering machinery and other industries inclination measurement of the recommended choice.

## 性能参数 Performance Parameters

### 电气指标 Electrical indicators

测量范围 Measurement Range	±15°、±30°、±60°、±90°	±30°、±60°、±90°
测量轴 Measuring Axis	单轴 uni	双轴 spherical
工作电流 Operating Current	18~45mA (24V)	
分辨率 Resolution	0.01°	
供电电压 Supply Voltage	+9-36VDC	
输出信号 Output Signal	RS485 / 0-5V / 0-10V / 4-20mA	
线性精度 Linear Accuracy	0-15°线性精度≤0.01°; 15°-30°线性精度≤0.02°; 30°-85°线性精度≤0.03° 0-15° linearity accuracy ≤ 0.01°; 15°-30° linearity accuracy ≤ 0.02°; 30°-85° linearity accuracy ≤ 0.03°	



## 性能参数 Performance Parameters

### 性能指标 Performance indicators

工作温度 Operating Temperature	-40~+85°C	储存温度 Storage Temperature	-55~+100°C
输出频率 Output Frequency	5~10Hz		
安装 Mounting	四颗M4螺丝 four M4 screws		
抗震动 Anti-vibration	10grms、10~1000Hz		
上电启动时间 Power-on Start-up Time	<1s		
外壳材质 Shell Material	锌合金 zinc alloy		
绝缘电阻 Insulation resistance	≥100兆欧 ≥100 megohms		
零点温漂 Zero-point Temperature Drift	单轴:±0.0007°/°C 双轴:±0.005°/°C Single axis:±0.0007°/°C Double axis:±0.005°/°C		
抗冲击 Impact Resistance	2000g,0.5ms,3次/轴 2000g,0.5ms,3 times/axis		
防护等级 Protection Class	IP67(经客户定制,防水接头出线型可做到IP68) IP67 (waterproof connector can be customized to IP68)		

## 电气连接 Electrical Connection

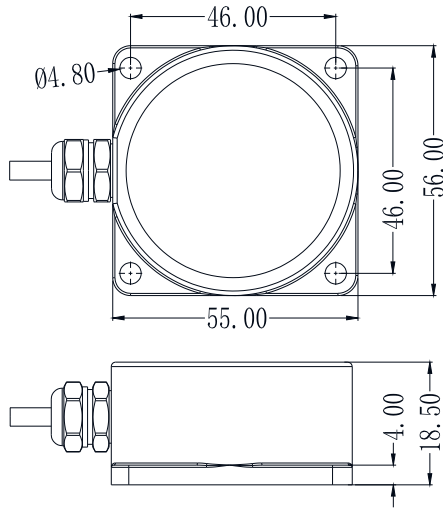
单轴模拟量接线定义 single-axis analog wiring definition	红色 RED 电源正极 power positive +12~24VDC	黑色 BLACK 电源负极 power negative 0V	黄色 YELLOW 信号输出 signal output OUT	屏蔽线 SHIELDED WIRE 接地 grounding	
双轴模拟量接线定义 bi-axial analog wiring definition	红色 RED 电源正极 power positive +12~24VDC	黑色 BLACK 电源负极 power negative 0V	绿色 GREEN 模拟量输出-X analog output-X	白色 WHITE 模拟量输出-Y analog output-Y	屏蔽线 SHIELDED WIRE 接地 grounding
单/双轴数字量接线定义 single/dual axis digital wiring definitions	红色 RED 电源正极 power positive +12~24VDC	黑色 BLACK 电源负极 power negative 0V	绿色 GREEN RS485 A	白色 WHITE RS485 B	屏蔽线 SHIELDED WIRE 接地 grounding

注:以上仅为参考,具体接线定义以产品实物标签上的标注为准。

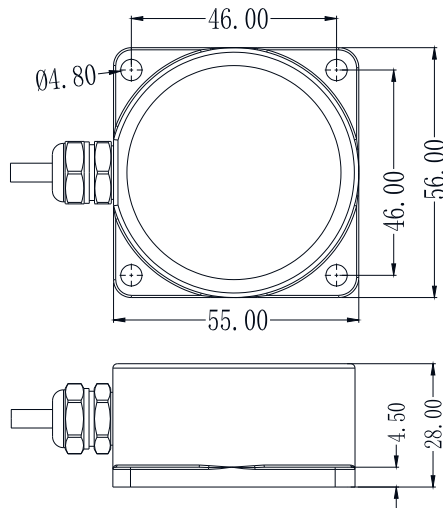
Note: The above is for reference only, the specific wiring definition is subject to the labeling on the physical product label.

产品尺寸图 Product Dimension Drawing

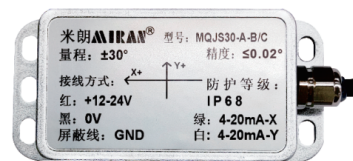
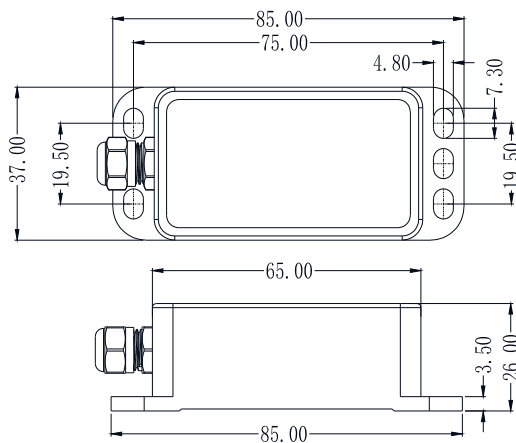
A1/A3型尺寸size: L55\*W56\*H18.5(mm)



A2型尺寸size: L55\*W56\*H28(mm)

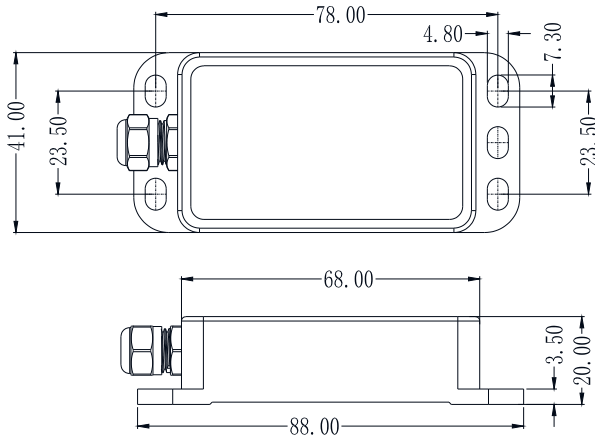


B型尺寸size: L85\*W37\*H26(mm)

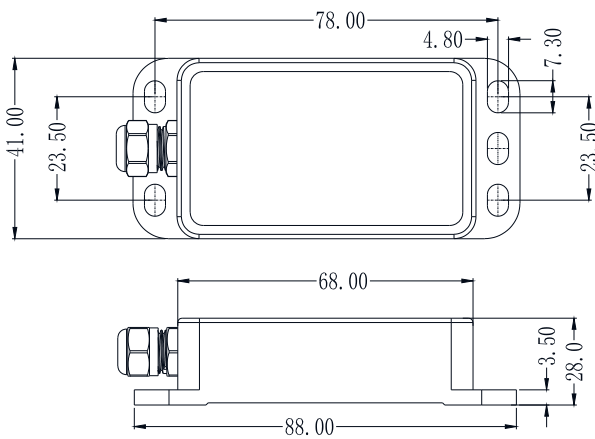


产品尺寸图 Product Dimension Drawing

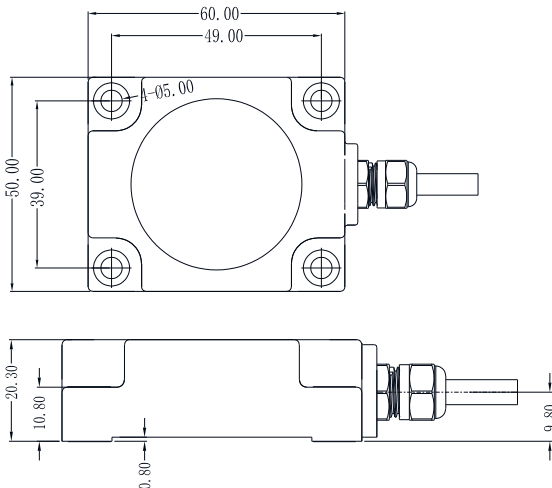
C1/C3型尺寸size: L88\*W41\*H20(mm)



C2型尺寸size: L88\*W41\*H28(mm)



D型尺寸size: L60\*W50\*H20.3(mm)



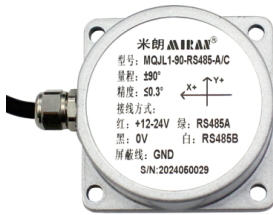
# MQJL经济型倾角传感器

## MQJL Economic Inclination Sensor

### 产品实物图Product Picture

#### MQJL系列(单/双轴)

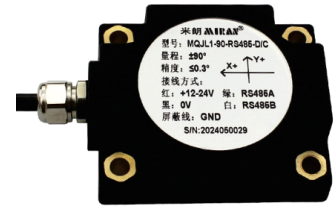
#### MQJL series (single/double axis)



MQJL-A

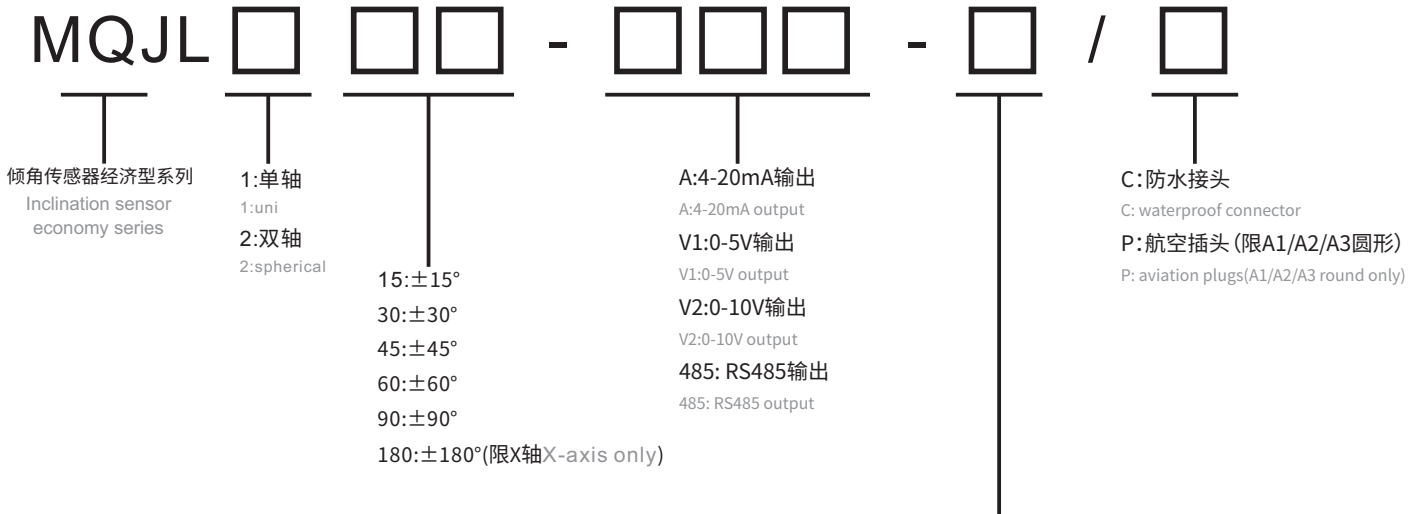


MQJL-C



MQJL-D

### 产品型号选型Product Model Selection



例如Example:

**MQJL1 30-V1-A2-C:** 米朗科技倾角传感器经济型系列, 单轴, 测量范围为±30°, 0-5V输出, 圆形电子仓垂直安装(尺寸L55\*W56\*H18.5mm), 防水接头。如有特殊需求订购时备注。

**MQJL1 30-V1-A2-C:** miran technology inclination sensor economy series, single axis, measuring range ±30°, 0-5V output, round electronic compartment mounted vertically (size L55\*W56\*H18.5mm), waterproof connector. If you have special needs when ordering note.

A1: 圆形电子仓水平安装(尺寸L55\*W56\*H18.5mm)

A1: Round electronic bin horizontal mounting(dimensions L55\*W56\*H18.5mm)

A2: 圆形电子仓垂直安装(尺寸L55\*W56\*H18.5mm)

A2: Vertical mounting of round electronic bin(dimensions L55\*W56\*H18.5mm)

A3: 圆形电子仓水平倒置安装(尺寸L55\*W56\*H18.5mm)

A3: Round electronic bin horizontal inverted installation(dimensions L55\*W56\*H18.5mm)

C1: 长方形电子仓水平安装(尺寸L80\*W36\*H20mm)

C1: Rectangular electronic bin horizontal installation(dimensions L80\*W36\*H20mm)

C2: 长方形电子仓垂直安装(尺寸L80\*W36\*H20mm)

C2: Vertical mounting of rectangular electronic bin(dimensions L80\*W36\*H20mm)

C3: 长方形电子仓水平倒置安装(尺寸L80\*W36\*H20mm)

C3: Rectangular electronic compartment installed horizontally inverted(dimensions L80\*W36\*H20mm)

D: 方形电子仓水平安装(尺寸L60\*W50\*H20mm)

D: Square electronic bin horizontal mounting(dimensions L60\*W50\*H20mm)

## 产品概述Product Overview

MQJL经济型倾角传感器系列采用抗干扰平台设计,集成新型微机械传感单元,宽温工作性能,长期工作稳定可靠。本产品采用非接触式原理测量物体的倾斜角度,通过内部的微机械单元测量地球引力所产生的分量来解算出实时倾斜角度,安装简单方便,只需固定在被测动作的物体上,不需要固定轴与转动轴,多种安装方式,满足客户测量需求,是工程机械车辆,农用机械,等工业设备的理想配件。

MQJL economic inclination sensor series adopts anti-interference platform design, integrating new micro-mechanical sensing unit, wide-temperature working performance, stable and reliable long-term work. This product adopts non-contact principle to measure the tilt angle of the object, through the internal micro-mechanical unit to measure the component generated by the earth's gravity to solve the real-time tilt angle, simple and convenient to install, only need to be fixed in the measured action of the object, do not need to be fixed axle and rotating axis, a variety of installation methods to meet customer measurement needs, is the engineering machinery vehicles, agricultural machinery, and other industrial equipment, the ideal accessory.

## 性能参数Performance Parameters

### ⚡ 电气指标Electrical indicators

测量轴 Measuring Axis	单轴 uni	双轴 spherical
测量范围 Measurement Range	±15°、±30°、±60°、±90°、(±180°,限X轴) ±15°, ±30°, ±60°, ±90°, (±180°, X-axis only)	
工作电流 Operating Current	18~45mA (24V)	
分辨率 Resolution	0.01°	
供电电压 Supply Voltage	+ 12-24VDC	
输出信号 Output Signal	RS485 / 0-5V / 0-10V / 4-20mA	
线性精度 Linear Accuracy	0-15°线性精度≤0.1°; 15°-30°线性精度≤0.2°; 30°-90°线性精度≤0.3° 0-15° linearity accuracy ≤ 0.1°; 15°-30° linearity accuracy ≤ 0.2°; 30°-90° linearity accuracy ≤ 0.3°	



## 性能参数 Performance Parameters

### 性能指标 Performance indicators

工作温度 Operating Temperature	-40~+85°C	防护等级 Protection Class	IP68
响应频率 Response Frequency	5~20Hz	安装 Mounting	M4螺丝 M4 screws
外壳材质 Shell Material	锌合金 zinc alloy		
输出负载 Output Load	>500欧姆 >500 ohms		
绝缘电阻 Insulation Resistance	≥100兆欧 ≥100 megohms		
抗震动 Anti-vibration	10grms、10~1000Hz		
工作时间 Working Hours	50000小时/次(无故障) 50000 hours/times (trouble-free)		
温度漂移特性 Temperature Drift Characteristics	-35~65°C条件下, ±0.5° -35~65°C conditions, ±0.5°		
抗冲击 Impact Resistance	100g@11ms、三轴向(半正弦波) 100g@11ms, triaxial (half sine wave)		

## 电气连接 Electrical Connection

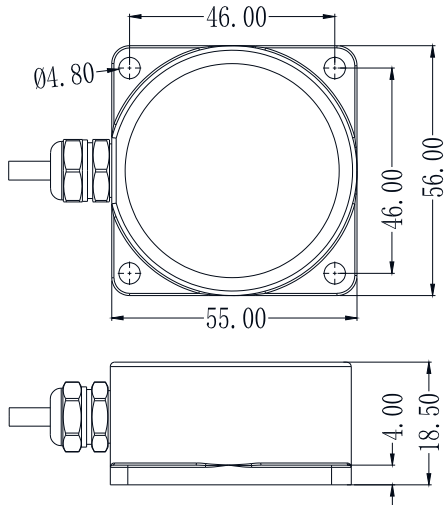
单轴模拟量接线定义 single-axis analog wiring definition	<b>红色 RED</b> 电源正极 power positive +12~24VDC	<b>黑色 BLACK</b> 电源负极 power negative 0V	<b>黄色 YELLOW</b> 信号输出 signal output OUT	屏蔽线 SHIELDED WIRE 接地 grounding	
双轴模拟量接线定义 bi-axial analog wiring definition	<b>红色 RED</b> 电源正极 power positive +12~24VDC	<b>黑色 BLACK</b> 电源负极 power negative 0V	<b>绿色 GREEN</b> 模拟量输出-X analog output-X	白色 WHITE 模拟量输出-Y analog output-Y	屏蔽线 SHIELDED WIRE 接地 grounding
单/双轴数字量接线定义 single/dual axis digital wiring definitions	<b>红色 RED</b> 电源正极 power positive +12~24VDC	<b>黑色 BLACK</b> 电源负极 power negative 0V	<b>绿色 GREEN</b> RS485 A	白色 WHITE RS485 B	屏蔽线 SHIELDED WIRE 接地 grounding

注: 以上仅为参考, 具体接线定义以产品实物标签上的标注为准。

Note: The above is for reference only, the specific wiring definition is subject to the labeling on the physical product label.

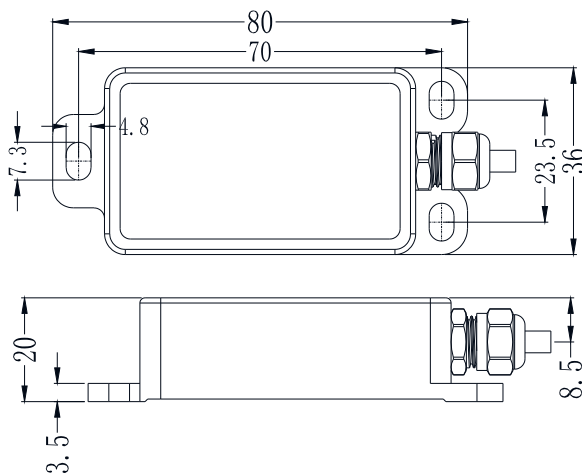
产品尺寸图 Product Dimension Drawing

A1/A2/A3型尺寸size: L55\*W56\*H18.5(mm)



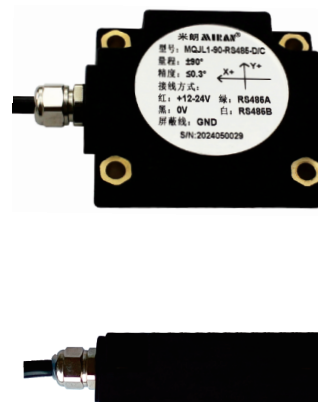
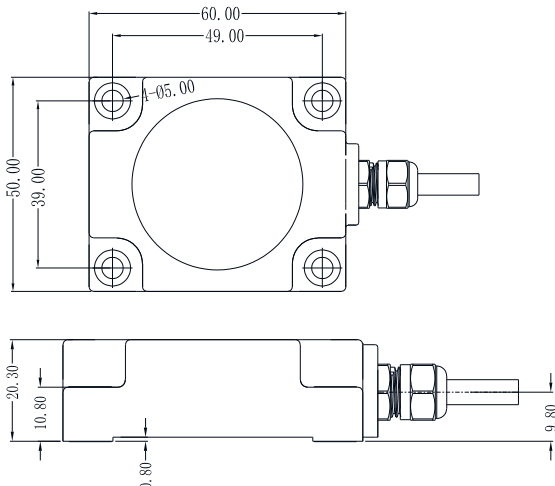
米朗 MIRAN®  
 型号: MQJL1-90-RS485-A/C  
 量程: ±90°  
 精度: ±0.3°  
 接线方式:  
 红: +12-24V 绿: RS485A  
 黑: 0V 白: RS485B  
 屏蔽线: GND  
 S/N: 2024060029

C1/C2/C3型尺寸size: L80\*W36\*H20(mm)



米朗 MIRAN® 型号: MQJL1-90-RS485/C  
 量程: ±90°  
 精度: ±0.3°  
 接线方式:  
 红: +12-24V 绿: RS485A  
 黑: 0V 白: RS485B  
 屏蔽线: GND  
 S/N: 2024050029

D型尺寸size: L60\*W50\*H20.3(mm)



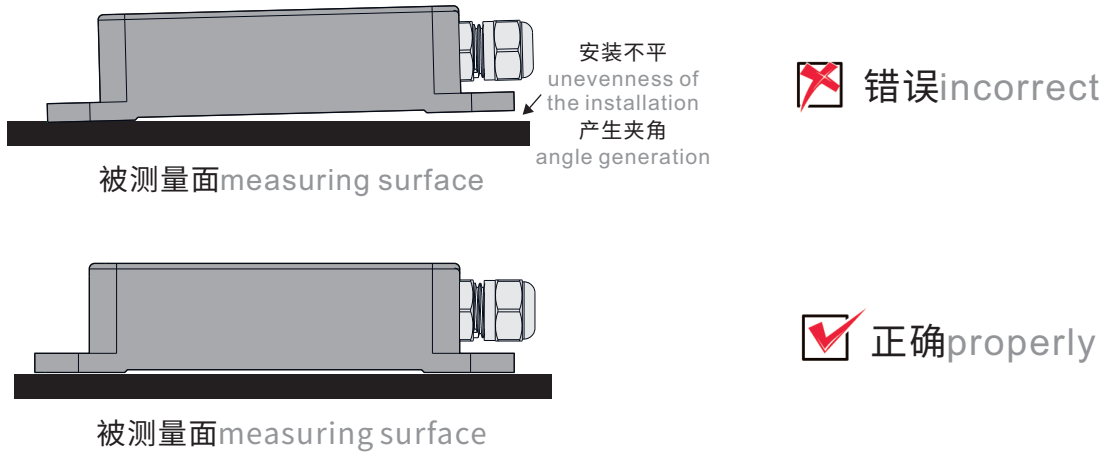
米朗 MIRAN®  
 型号: MQJL1-90-RS485-D/C  
 量程: ±90°  
 精度: ±0.3°  
 接线方式:  
 红: +12-24V 绿: RS485A  
 黑: 0V 白: RS485B  
 屏蔽线: GND  
 S/N: 2024050029

## 产品安装 Product Installation

正确的安装方式可以避免产生测量误差，传感器安装时要做到如下几点：

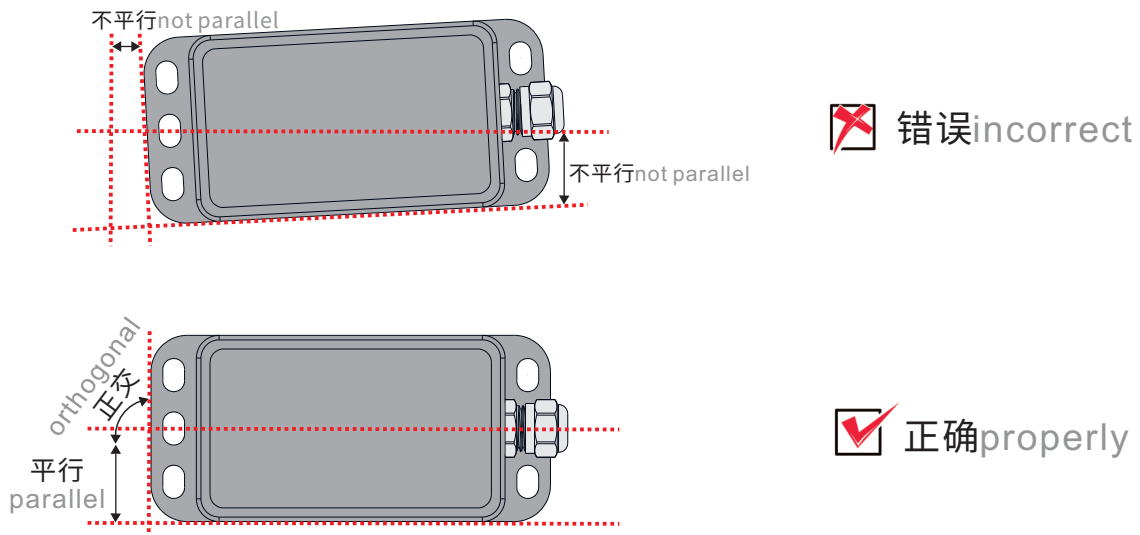
Correct mounting can avoid measurement errors, the sensor should be mounted as follows:

一、要保证传感器安装面与被测量面完全紧靠，被测量面要尽可能水平，不能有夹角产生。如下图所示  
First, to ensure that the sensor mounting surface and the measured surface completely close to the measured surface, the measured surface should be as horizontal as possible, there can be no angle generated. As shown in the figure below



二、传感器底边线和被测物体轴线不能有夹角产生，安装时应保持传感器底边线与被测物体转动轴线平行或正交。如下图所示

Second, the bottom edge of the sensor and the axis of the object to be measured can not have the angle generated, the installation should keep the bottom edge of the sensor and the axis of rotation of the object to be measured parallel or orthogonal. As shown in the figure below



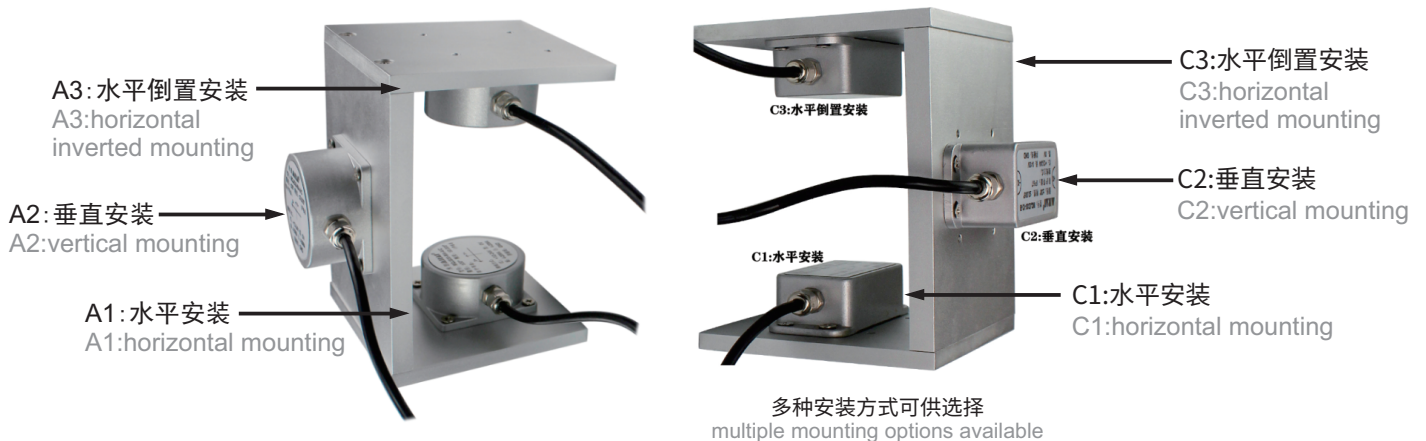
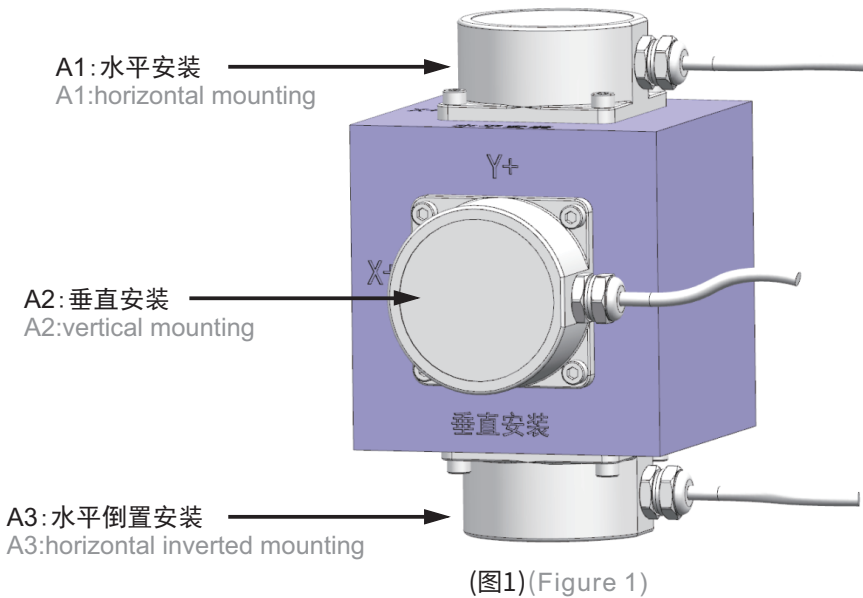
三、传感器的安装面与被测量面必须固定紧密、接触平整、转动稳定，要避免由于加速度、振动产生的测量误差。

Third, the sensor's mounting surface and the measured surface must be fixed tightly, contact flat, stable rotation, to avoid measurement errors due to acceleration, vibration.

## 产品安装示意图 Product Installation Diagram

A: 圆形电子仓产品安装示意图 (目前图1示意图只针对A型)

A: Circular electronic warehouse product installation schematic (currently figure 1 schematic only for A type)



## 通讯协议 communication protocols

支持的MODBUS传输方式: RTU模式; 默认通讯参数: 波特率9600、8位数据、无校验、1个停止位, 地址默认01。

supported MODBUS transmission mode: RTU mode; Default communication parameters: baud rate 9600, 8-bit data, no parity, 1 stop bit, address default 01.

参数 parameters	Modbus保持寄存器地址 (16位) Modbus holding register address (16 bits)
角度 perspectives	0000H(整数)、0001H(小数) 0000H (integer), 0001H (decimal)
温度 temp	0006H
满量程 full scale	000EH(整数)、000FH(小数) 000EH (integer), 000FH (decimal)
校验 calibration	0014H
地址 address	0016H
波特率 baud	0017H
保留 reservations	0018H(整数)、0019H(小数) 0018H (integer), 0019H (decimal)

注: 一个寄存器占用两个字节。  
如0024H、0025H 占用4个字节  
Notes: one register occupies two bytes. for example, 0024H, 0025H occupy 4 bytes.

应用领域 Areas of application



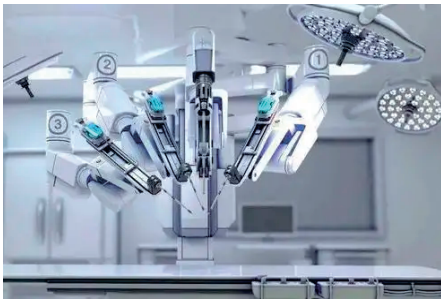
• 铁路机车监测  
Railroad locomotive monitoring



• 建筑健康监测  
Building health monitoring



• 塔杆倾斜监测  
Tower tilt monitoring



• 工业自动化姿态控制  
Industrial automation attitude control



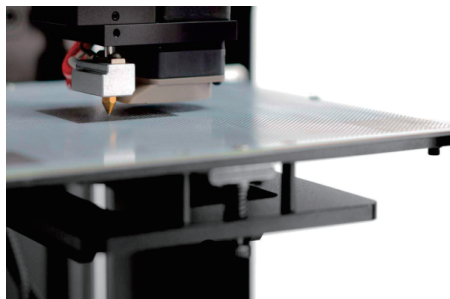
• 工程机械倾角测量  
Construction machinery inclination measurement



• 桥梁与大坝监测  
Bridge and dam monitoring



• 石油钻井设备  
Oil drilling equipment



• 精密平台自动调平  
Precision platform with automatic leveling



倾角传感器应用场所极多,随着MEMS技术的发展,倾角传感器得到越来越广泛的应用。适合应用于工厂、山体、铁路、隧道、船业、机械、建筑业、医疗事业、桥梁铺设、水坝建设、汽车行业、核工业和航空航天事业等。

Inclination sensor application places are extremely many, with the development of MEMS technology, the inclination sensor is more and more widely used. Suitable for applications in factories, mountains, railroads, tunnels, shipbuilding, machinery, construction, medical business, bridge laying, dam construction, automotive industry, nuclear industry and aerospace business.





辐射全国 放眼世界

Radiate to the whole country and see the world

质量第一  
Quality First

用户至上  
Customer First

诚信为本  
Credit First

将致力于位移、物位、角度等测控领域

Will be committed to the field of displacement, level, angle measurement and control

为客户提供一站式解决方案的产品与服务

Products and services that provide one-stop solutions for our customers

版权归深圳市米朗科技有限公司所有

Copyright © Shenzhen Miran Technology Co

本选型样本如有变动，恕不另行通知，以最新版本为准

This catalog is subject to change without notice and the latest version shall prevail

任何拷贝、复制、拍摄制作作为商业用途均属于侵权

Any copying, reproduction, filming or production for commercial use is an infringement of copyright

主要著作人：王工

Main author: Wang artwork

2024年05月出品

Produced in May 2024