

极限真空 8kPa[abs] 以下
流量 144 ~264 L/min (50Hz)

Ultimate vacuum 8kPa[abs] or low

Capacity 144~264 L/min (50Hz)



特长

- 在极限真空度 (8kPa 以下) 时能连续运行
- 运行真空度高、适合于电子元器件等小型零部件的自动化组装设备

Features

- It is possible to make continuous operation at the reached degree of vacuum(8kPa or less)
- Since the operating degree of vacuum is high, they are most suitable to use with the automatic machines(mounting machine,etc.) for small parts such as electronics parts.

规格

Specifications

型式 Model KHB□-P-□-□	设计排气量 Designed pumping capacity (L/min) (※1)		到达真空度 Ultimate Vacuum (※2) (kPa[abs])	配管连接孔径 Suction exhaust port diameter	电源 Motor voltage				噪音 Noise (dB)		装载电机 (kw) Motor	重量 Mass (Kg)	
	50Hz	60Hz			单相 Single phase		三相 Three phase		50Hz	60Hz		单相 Single phase	三相 Three phase
					100V	220V	220V	380V					
200/200A-P-V-03	144	174	8	Rc1/4			○	○	61	62	0.2		15
400/400A-P-V-01	264	312		Rc3/8	○	○			63	66	0.4	23.5	
400/400A-P-V-03							○	○	63	66			23.5

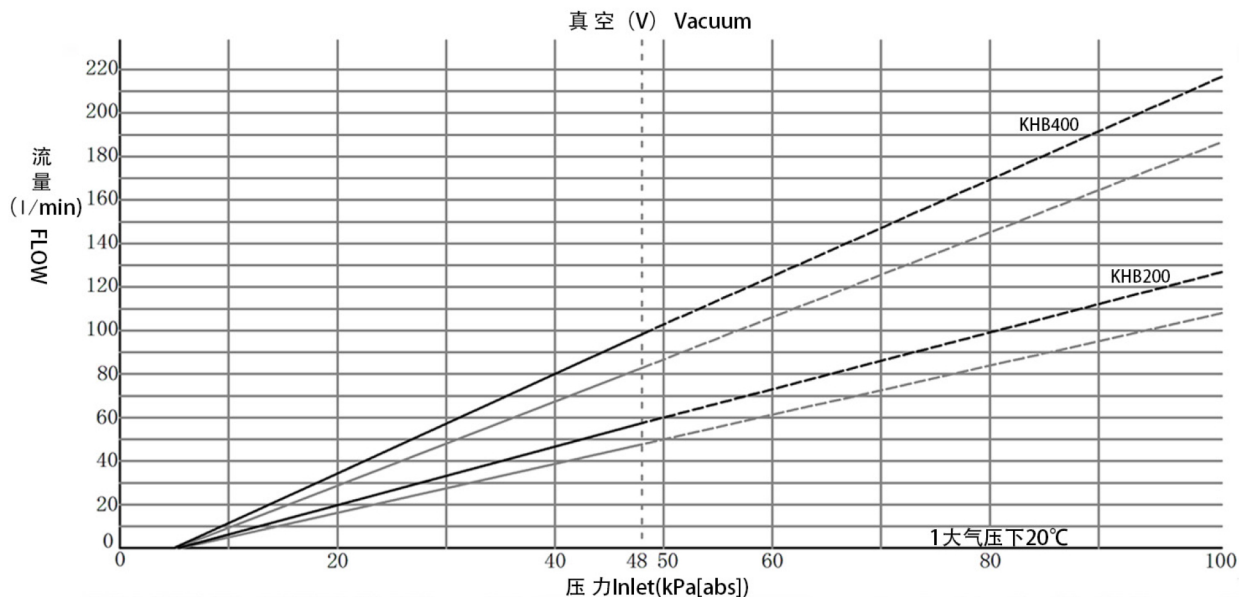
- ※1 设计排气量：由容积所要求的理论值。实际流量参考性能实测数据。
- ※2 到达真空度：泵所能达到的极限真空度，KHB 系列真空泵可以在到达真空度下连续运行。
- ※ 使用压力范围：48kPa [abs]~ 到达压力
- ※ 允许脉动范围：13.3kPa/s 以内
- ※ 也备有排气管道配管型 (200A,400A)。管道配管的允许阻力：25 kPa 以下 (不可以用于排气)
- ※ 使用环境 (吸入空气) 条件：温度：0~40C、湿度：通常湿度 (65 ± 20%)、
- ※ 因为高真空泵在压缩比高时、泵内部容易结露、所以必须要采取以下措施防止生锈。
- 试运行、吸气侧加上 48 kPa [abs] 以下的负荷、连续运行 5 分钟以上。
 - 试运行和工作时间在 5 分钟以内时，为了除去凝结露水、开放吸气侧、进行 10~15 分钟的空 (干燥) 运行。
- ※ 电源电压的允许波动范围为额定电压 ± 10%。请设置过负荷保护器 (热敏继电器等)。

设定值：请以电机标牌上记载的额定电流值为标准。

- ※1 Design displacement: Logic value calculated from the cubic volume.regarding the actual flow rate, refer to the actual measurement data of performances.
- ※2 Pressure level where continuous operation is possible at the maximum degree of vacuum reached by the pump.
- ※ Using pressure range:48kPa<abs> ~Reaching pressure.
- ※ Allowable pulsation range:within 13.3kPa/s.
- ※ Those types with which duct piping can be used for the exhaust circuit are also available.(KHB200A, 400A).
- ※ Allowable resistance of the duct piping:25kPa or less (Cannot be used for exhaust gas)
- ※ As the intake gas,use clean air of ordinary temperature and ordinary humidity whenever possible.[Using environmental conditions (intake air) should be 0~40C in the temperature and 65 ± 20% in the humidity].
- ※ Since high degree vacuum pumps possess higher compression ratio and more dewing occurs inside the pump,it is necessary to take rusting trouble preventive measure as follows.
- ※ As the test operation,make continuous operation for more than 5 minutes applying a load or 48kPa[abs] or less to the suction side.
- ※ If in test operation or the regular operation time is less than 5 minutes,make no load (dry) operation for 10 to 15 minutes opening the suction side in order to remove the dewing water.
- ※ The allowable variation range of the supply voltage should be rated voltage(±10%).
- ※ Install an overload protector (thermal relays,etc.).Setting value:Use the rated current value being indicated on the specification plate of the motor as target value.

性能实测数据 (-60Hz -50Hz)

Performance date



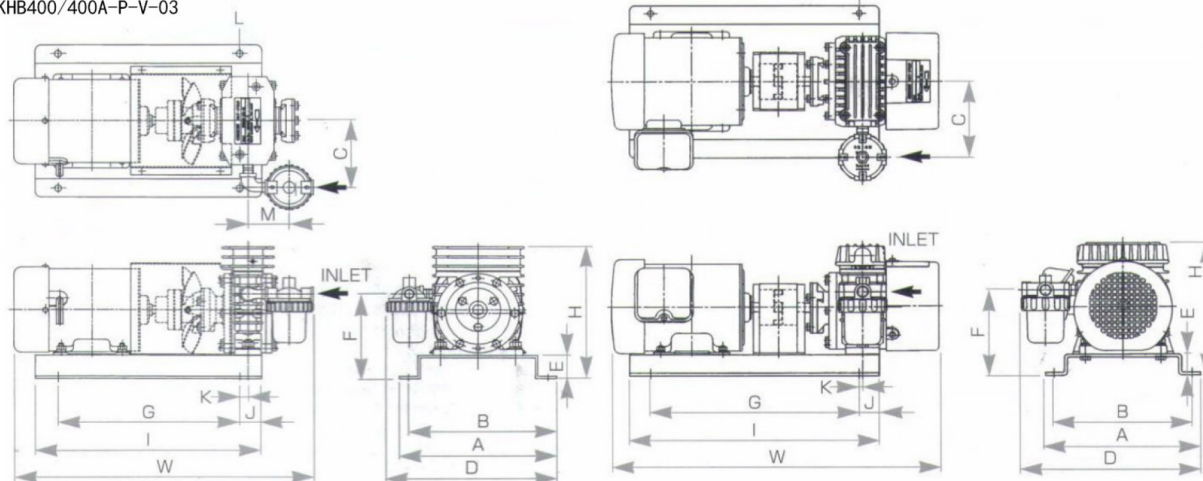
- ※ 性能实测数据表示带过滤器的数据。配管连接时, 由于有阻力, 流量会有所不同。
- ※ 要在 48 kPa[abs] 以上 (性能数据的虚线) 时的连续运行, 则请预先与代销商联系。
- ※ 在 1 大气压下 20°C。

- ※ Performance curves show the date with a filter. Air flow may differ depending on piping resistance.
- ※ For application over 48kPa [abs] please ask for ORION dealers before use.
- ※ Under one normal atmospheric pressure 20°C .

外形尺寸 (尺寸单位: mm)

Outer dimensions (Unit:mm)

KHB200/200A-P-V-03
KHB400/400A-P-V-03



型式	H	D	W	A	B	C	E
KHB200/200A-P-V-03	(183)	(228)	(419)	210	186	92	32
KHB400/400A-P-V-03	(201)	(266)	(482)	230	205	115	32

型式	F	G	I	J	K	L	M
KHB200/200A-P-V-03	(117)	240	300	30	1.1	4-φ9	55
KHB400/400A-P-V-03	(129)	304	364	30	5	4-φ9	-