

- 极限真空** 8kPa[abs] 以下
常用真空 可在极限真空 ~ 大气压力的宽量程范围内使用
 (KHF08-V 型只能在极限真空 ~48 kPa[abs] 内范围使用)
流量 125~340L/min(50Hz) Ultimate vacuum 8kPa [abs] or low

Continuous pressure Wide range from ultimate pressure to atmospheric pressure is available (KHF08-V; from ultimate pressure to 48kpa[abs])
 Capacity 125~340L/min (50Hz)



特长

- 在极限真空 (8kPa[abs]) 下 能连续运行。
- 比其他泵更容易更换滑片。(与 KRX 系列相较)
- 运行真空度高, 最适合在电子行业中应用。

Features

- Possible to make continuous operation at ultimate pressure. (8kPa[abs] or less)
- In comparison with other pumps (KRX series),easy blade re- placement
- Since the operative vacuum is high,they are most suitable for the alternative of ejector,or to use as the automatic machines for small parts such as electronics parts.

规格

Specifications

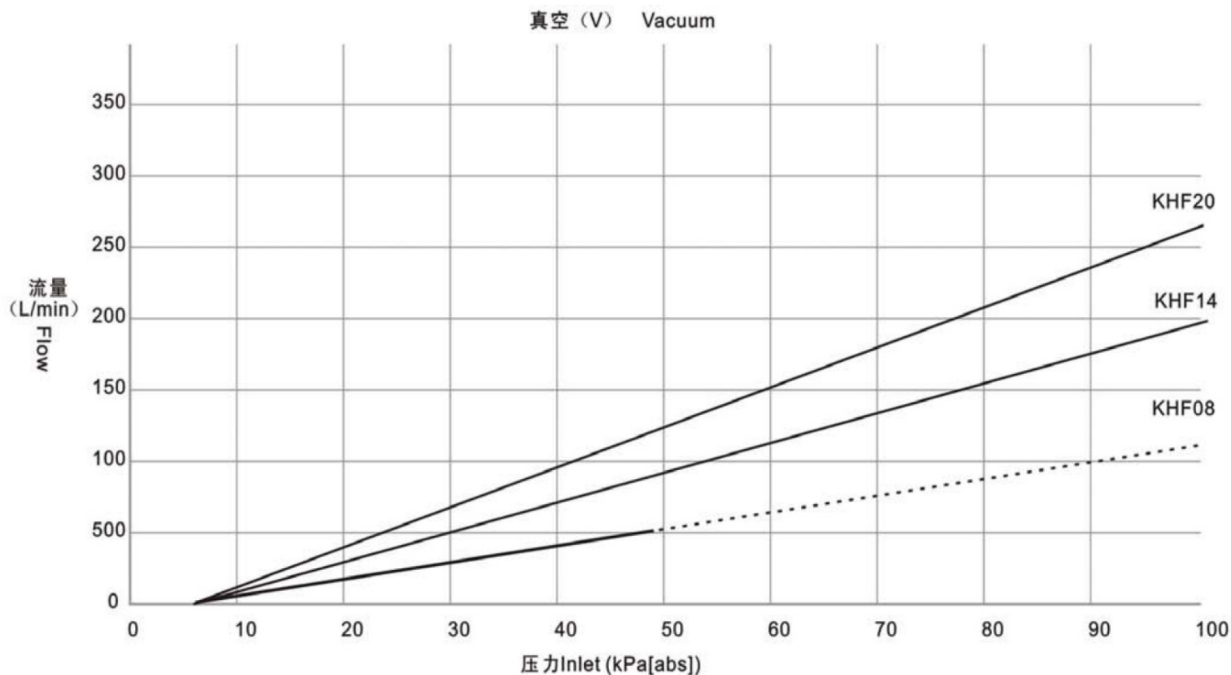
型号 Model	设计排气量 Designed pumping capacity		到达真空度 Ultimate vacuum (※2) (kPa[abs])	使用真空 Continuous operative vacuum (kPa[abs])	配管连 接孔径 Suction. exhaust port diameter	电源 Motor voltage				运转噪音 (dB) Noise	装载电机 (kw) Motor	重量 Mass (Kg)		
	(L/min) (※1)					单相 Single phase	三相 Three phase	50/60Hz	50Hz/60Hz			单相	三相	
	50Hz	60Hz												100V/220V
KHF08-P-V-01	125	150	8	8~48	Rc1/4	○	○	-	-	64	67	0.2	15.5	-
KHF08-P-V-03						-	-	○	○				-	-
KHF14-P-V-01	230	280		全量程内可以 使用	Rc3/4	○	○	-	-	66	68	0.4	24	-
KHF14-P-V-03						-	-	○	○				-	-
KHF20-P-V-01	340	400				全量程内可以 使用	Rc3/4	○	○	-	-	67	69	0.75
KHF20-P-V-03				-	-			○	○	-	-			

- ※1 设计排气量 : 由容积所计算出的理论值 . 实际流量参考性能实测数据。
 - ※2 可在到达真空度下连续运行。
 - ※ 要在性能数据的虚线下连续使用, 请与代理商联系。
 - ※ 允许脉动范围 : 13.3 kPa/s 以内。
 - ※ 对排气进行配管时, 允许阻力 : 10 kPa 以下。(不可以用于排气)
 - ※ 使用环境 (吸入空气) 条件 : 温度 : 0~40C、湿度 : 通常湿度 (65 ± 20%)
 - ※ 因为高真空泵在压缩比高时、泵内部容易结露、所以必须要采取以下措施防止生锈。
 - 试运行、吸气侧加上 48 kPa[abs] 以下的负荷、连续运行 5 分钟以上。
 - 试运行和工作时间在 5 分钟以内时, 为了除去凝结露水、开放吸气侧、进行 0~15 分钟的空 (干燥) 运行。
 - ※ 电源电压的允许波动范围为额定电压 ± 10%。
 - ※ 请设置过负荷保护器 (热敏继电器等)。
- 设定值 : 设定值以电机名牌上记载的额定电流值为标准。

- ※1 Design displacement:Logic value calculated from the cubic volume. Regar-ding the actual flow rate, refer to the actual measurement date of performa-nces.
- ※2 Pressure level where continuous operation is possible at the maximum de-gree of vacuum reached by the pump.
- ※For continuous operation on the dotted line of performance data,please ask for ORION dealers before use.
- ※Allowable pulsation range:within 13.3kPa/s.
- ※In case of using duct piping for exhaust circuit,the allowable resistance is 10kPa or less (using the exhaust air for any purpose is not availa ble).
- ※Allowable resistance of the duct piping:25kPa or less (Cannot be usedforex-hausegas).
- ※As the intake gas, use clean air of ordinary temperature and ordinary humidity whenever possible.[Using environmental condintions(intake air) should be 0~40C in the temperature and 65 ± 20% in the humidity.]
- ※Since high degree vacuum pumps possess higher compression ratio and mo-re dewing occurs inside the pump , it is necessary to take rusting trouble pr-eventive measure as follows.
- ※As the test operation,make continuous operation for more than 5 minutes ap-plying a load or 48kPa[abs] or less to the suction side .
- ※if the test operation or the regular operation time is less than 5 minutes,make no load or (dry) operation for 10 to 15 minutes opening the suction side in order to remove the dewing water.
- ※The allowable variation range of the supply voltage should be ratedvoltage.(10%)
- ※Install an overload protector (thermal relays,etc.). setting value:Use the rated current value being indicated on the pecification plate of the motor as the targ-et value.

性能实测数据 (-50Hz)

Performance data



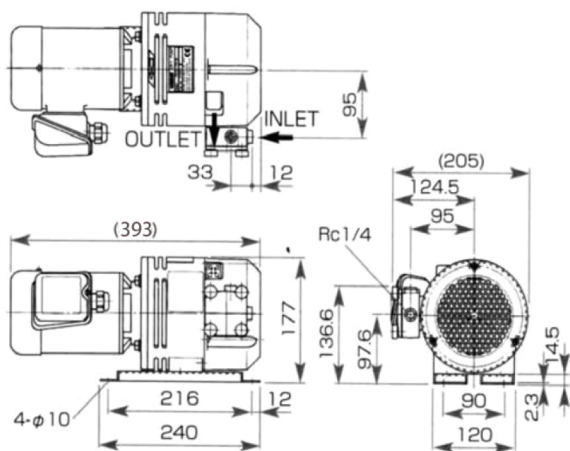
- ※ 性能实测数据表示带过滤器的数据。配管连接时由于其阻力、流量会有差异。
- ※ 要在 48 kPa[abs] 以上 (性能数据的虚线) 时进行连续运行, 则请与代理商联系。
- ※ 在 1 大气压下 20°C。

- ※ Performance curves show the data with a filter. Air flow may differ depending on piping resistance.
- ※ For application over 48kPa [abs] please ask for ORION dealers before use.
- ※ Under one normal atmospheric pressure 20°C .

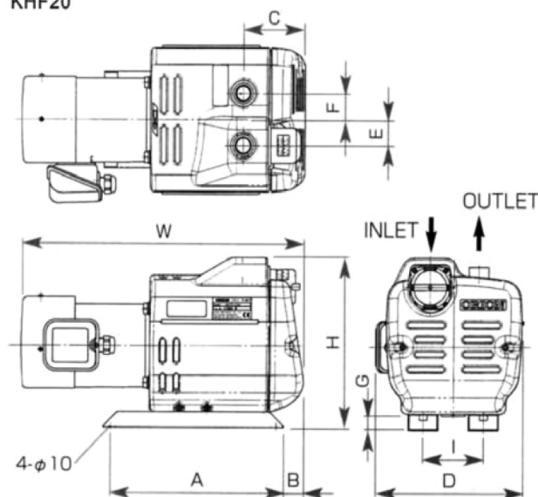
外形尺寸 (尺寸单位 : mm)

Outer dimensions (Unit:mm)

KHF08



KHF14
KHF20



型式	H	D	W	A	B	C	E	F	G	I
KHF14-P	(245)	(230)	(456)	275	(29)	(100)	(245)	(42)	25	(80)
KHF20-P	(269)	(242)	(487)		(45)	(103)	(245)	(40)		(100)