



# Temptronic

## ATS-710E-M THERMOSTREAM®

### -80° to +225°C

Advanced Temperature Source for fast and precise thermal conditioning of components, parts, hybrids, modules, subassemblies, and printed circuit boards. Capable of ultra-low temperatures **without** the use of Liquid Nitrogen (LN<sub>2</sub>) or Liquid Carbon Dioxide (LCO<sub>2</sub>).

#### PERFORMANCE:

**Temperature Range\* - No LN<sub>2</sub> or LCO<sub>2</sub> Required**

-75 to +225°C (50Hz)

-80 to +225°C (60Hz)

**Transition Rate\***

-55 to +125°C, approx. 10 seconds or less

125 to -55°C, approx. 10 seconds or less

**System Airflow Output\***

4 to 18scfm (1.9 to 8.5 l/s) Continuous

#### TEMPERATURE CONTROL:

**Temperature Display & Resolution**

+/- 0.1°C

**Temperature Accuracy**

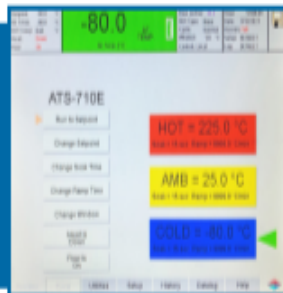
1.0°C (when calibrated against NIST standard)

**DUT Temperature Control**

Proprietary control algorithm enables DUT temperature to be directly controlled

**DUT Sensor Ports**

Internal diode, thermocouples (T & K), RTD (100 Ohm platinum)



### E Series Systems Equipped with Embedded Software Controls, Eliminating Windows® OS

- Significant reduction in security vulnerabilities
- Minimizes software and hardware obsolescence concerns
- Improved responsiveness of the touch screen
- Faster system boot and startup times

#### FEATURES:

##### Frost Free Feature

Dry air purge for tester interface, prevents condensation: 0.5 to 3scfm (0.25 to 1.5 l/s)

##### ECO Friendly Features

- Automatic Power Reduction: reduces power usage during idle periods
- Heat Only Mode: reduces power usage when cold temperatures are not used

##### Heated Defrost Feature

Quickly removes moisture buildup from internal chiller

##### Fully Adjustable Thermal Head

- Embedded Control System
- Local & Remote Operations
- On-Screen Help
- User Defined Temperature Limits
- Customizable and savable test setups
- Ethernet, IEEE-488, RS232, USB Serial ports
- Program & Datalog Storage (via ethernet or USB)

#### APPLICATION OPTIONS:

##### Thermal Cap or FlexExtender Hose

4.5 or 5.5 inch ID Thermal Cap or optional FlexExtender Hose for connection to external Thermal Chambers or enclosures

##### MobileTemp™ Thermal Chambers

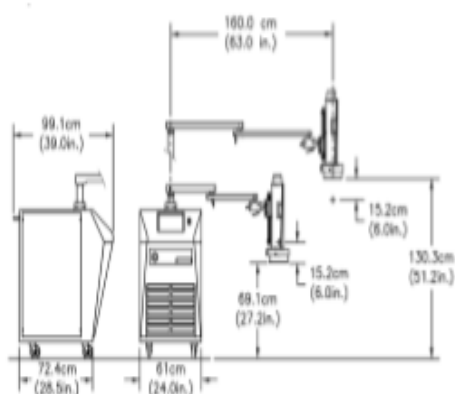
Temperature Chambers designed specifically for uses with ATS THERMOSTREAM® Systems. See Additional Datasheets for details.

*\*Under nominal operating conditions  
Ultimate low temperatures (±1°) achieved at 12scfm*

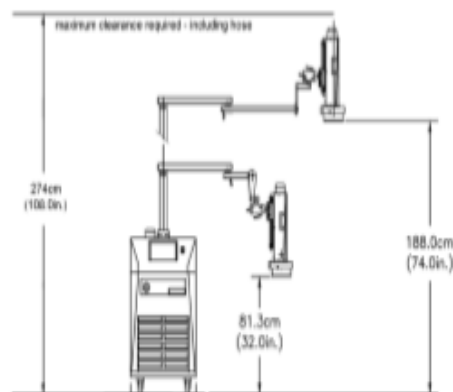


inTEST Thermal Solutions

an inTEST Company



**SYSTEM DIMENSIONS  
STANDARD**



**SYSTEM DIMENSIONS  
EXTENDED HEIGHT**

### FACILITY REQUIREMENTS

Power <sup>1</sup>	200 - 250 VAC (230V nominal), 50/60Hz 30 amp, 1phase
<b>COMPRESSED AIR<sup>2</sup></b>	
Clean, Dry Air (ODA)	Filtered to 5 micron particulate contamination. Oil Content: <0.1 ppm, by weight, filtered to 0.01 micron oil contaminant. Dewpoint: <10°C @ 6.2 BAR (90PSI)
Air Supply Pressure	6.2 to 7.6 BAR (90 to 110 PSIG)
Total Air Flow Rate Required	7.1 to 14.2 l/s (15-30 scfm), 11.8 l/s (25 scfm) nominal
Air Supply Temperature	+20° to +25°C; +22°C nominal
<b>OPERATING ENVIRONMENT<sup>3</sup></b>	
Operating Temperature	+20° to +28°C; +23°C nominal
Humidity	0 to 60%; 45% nominal

### WEIGHTS & DIMENSIONS

Base <sup>4</sup>	Width: 61.0 cm (24 in.), Depth: 72.4 cm (28.5 in.), Height: 108 cm (42.5 in.)
System Weight	Not packed: 236 kg (520 lbs.) Packed: 365 kg (805 lbs.)
Mobility	Four static dissipative, swivel caster wheels
Maximum Reach	160.0cm (63 in.)
Maximum Operating Height	130.3 cm (51.2 in.) Extended height option: 188.0 (74.0 in.)
Minimum Operating Height	69.1 cm (27.2 in.) Extended height option: 81.3 (32.0 in.)
Noise Level	<65dBA

### SERVICE & SAFETY

Refrigerants	HCFC and CFC-free, non-toxic, non-flammable
Serviceability	Auto-diagnostics and field replaceable modules
Over Temperature Protection	+230°C (factory set); Operator can set high and low air temperature limits

<sup>1</sup>System is configured for operation within voltages listed above using an internal transformer. Please specify power configuration with order  
<sup>2</sup>Under operating conditions which are greater or less than nominal, performance may be less than specification provided  
<sup>3</sup>An additional 20.3cm (8 in.) clearance is required for supply connections and cabinet ventilation

