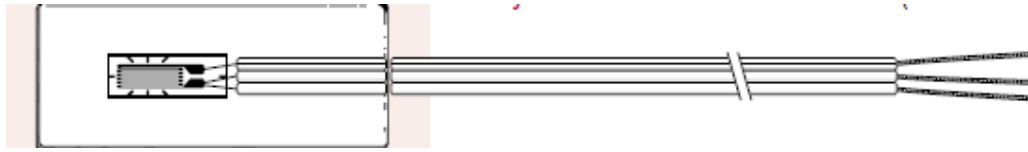


MODEL :

SRFW-5-120-C1-11A1M



Base size : 25*12mm

Gage length: 5mm

Gage resistance : 120 Ω

Gage factor : 2.0-2.2

Tem. corp. for : Steel

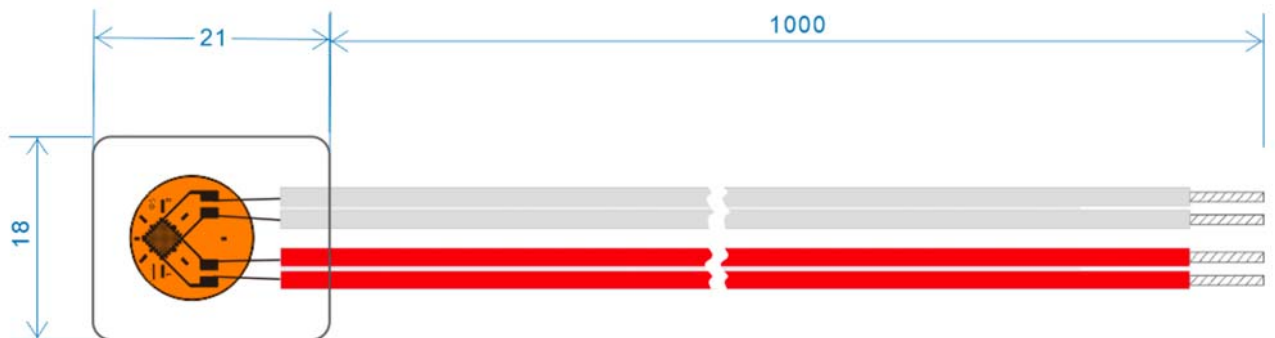
Material : Cu, Ni alloy foil

Cable length: polyester coating wire 3mm

Cu vinyl covering wire 1000mm

MODEL :

SRFW-5-120-D16-11A1M



Base size : 21*18mm

Gage length: 5mm

Gage resistance : 120 Ω

Gage factor : 2.0-2.2

Tem. corp. for : Steel

Material : Cu, Ni alloy foil

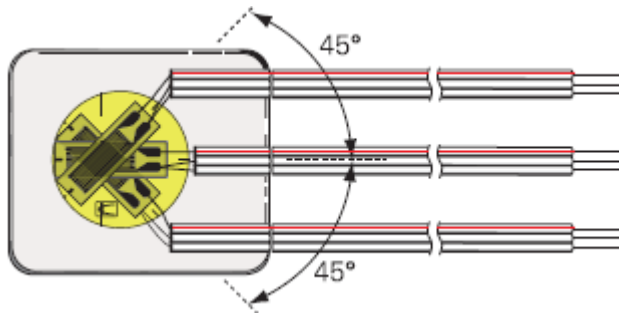
Cable length: polyester coating wire 3mm

Cu vinyl covering wire 1000mm

Cable colour : Red, White

MODEL :

SRFW-5-120-D17-11A1M



Base size : 21*18mm

Gage length: 5mm

Gage resistance : 120 Ω

Gage factor : 2.0-2.2

Tem. corp. for : Steel

Material : Cu, Ni alloy foil

Cable length: polyester coating wire 3mm

Cu vinyl covering wire 1000mm

Cable colour : Red, Blue, White