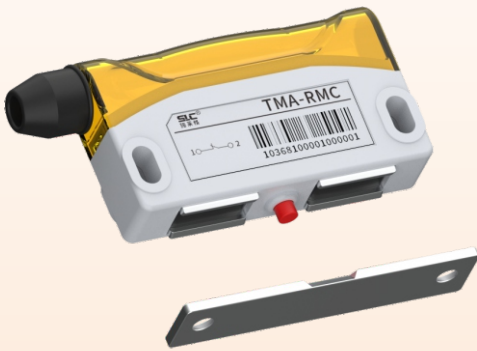




# TMA series magnetic limit switches



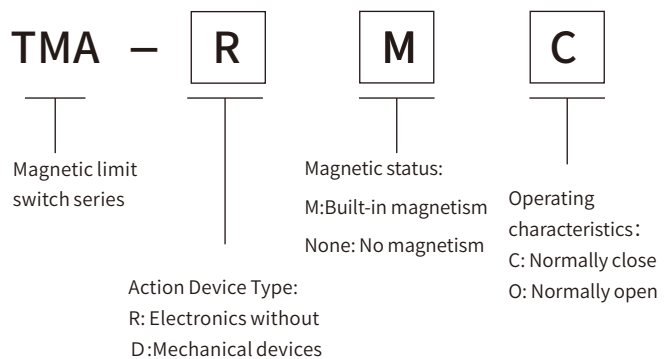
## Product features

- ◆ Optional built-in equipment cover and door magnet protection inspection;
- ◆ Built-in switch with accurate ON/OFF detection;
- ◆ The combination of magnet (support) and limit switch (detection) saves installation space;
- ◆ Two types of contacts: electronic device contact R and mechanical device contact D;
- ◆ The sensor can be installed on both sides.

## Typical applications

- ◆ Detect the opening or closing of small device doors.



## Model specification



### Sensor model

Device type	Magnetic state	Operating characteristics	Model
Electronics without	Built-in magnetism	Normally close	TMA-RMC
		Normally open	TMA-RMO
	No magnetism	Normally close	TMA-RC
		Normally open	TMA-RO
Mechanical devices	Built-in magnetism	Normally close	TMA-DMC
		Normally open	TMA-DMO
	No magnetism	Normally close	TMA-DC
		Normally open	TMA-DO

### Actuator model

Image	Model	Name	Order number
	TMA-ACV	TMA NO.1 Perform slices	LOT402031018
	TMA-ACH	TMA NO.2 Perform slices	LOT402031019

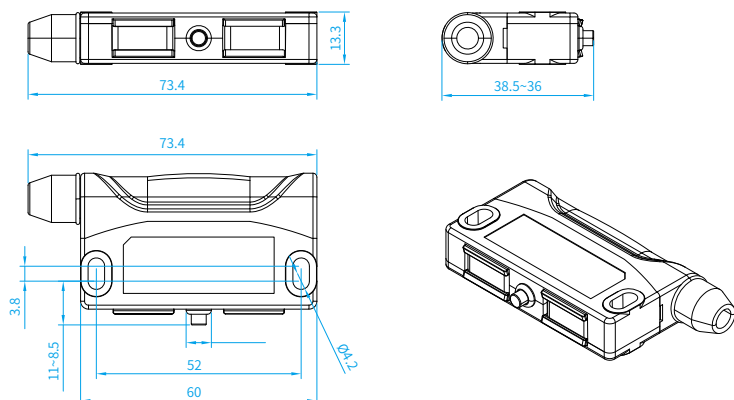
※ Normally on or normally off is defined as the state of the sensor after it is triggered by the actuator.

## Technical parameters

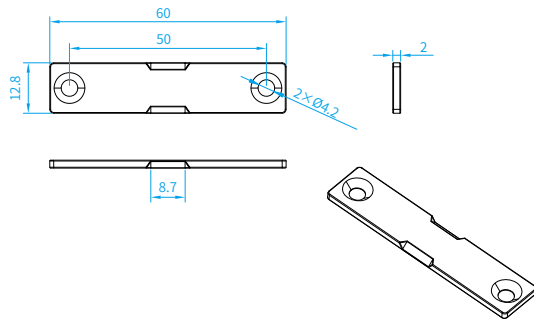
Security level	Mechanical device	Electron device
Standard	EN60947-5-1/GB/T14048.5	
B10D	A million times	20 million times
Authentication	CE CCC(CQC)	
Mechanical life	More than a million times	/
Electrical life	/	More than 20 million times(DC24V, 0.1A resistive load)
Electrical characteristics		
Ui	300V	
Protection against electric shock	Class II Double insulation	
Pollution degree (use environment)	3(EN60947-5-1)	
Impulse withstand voltage (EN60947-5-1)	2.5kV	AC1000V 1min Between each terminal and the housing
Contact resistance	Below 25mΩ	Below 100mΩ
Insulation resistance	More than 100MΩ	
Rated open heating current (Ith)	10A	/
Conditional short-circuit current	100A	/
Contact spacing	2.5mm	
Operating characteristics		
Maximum execution frequency	2 cycles/sec	Below 20Hz
Minimum switching current at a specific voltage	5mA@5VDC	/
Voltage	/	30V
Current	/	0.2A
Contact capacity	/	3VA
Usage type		
Load category	AC-15 / DC-13	/
Rated operating pressure (Ue)	250V / 30V	/
Rated operating current (Le)	2A / 1A	/
Environment		
Operating temperature	-20~+80°C	
Usage environment	Below 95%	
Vibration resistant	10~55Hz Unilateral amplitude 0.75mm	
Stamping resistant	300m/s <sup>2</sup>	

## Installation and dimensions

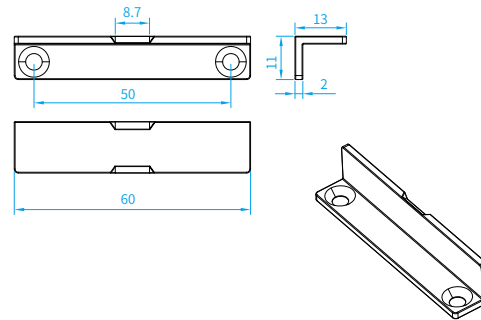
sensors



TMA-ACV



TMA-ACH



※ Depending on the product configuration and manufacturing process, the actual product size, weight may vary, please refer to the actual product

## Instructions for use

### Recommended usage



## Note

### About installation

- When mounted on magnetic materials such as iron plates, the characteristics change.
- When multiple sets are used at the same time, pay attention to the installation spacing L is not less than 100mm.

### Other

- When the switching part is subjected to a large impact or a current or voltage that exceeds the contact capacity, it will cause poor operation.
- This product is not waterproof, please avoid using it in places where water or oil may splash. Also, avoid using it in places where dust may accumulate.
- Do not use this product in an environment where it may be in direct contact with any organic solvents, strong acids or alkaline liquids, flammable or corrosive gases.
- Avoid use in silicon environments such as silicone-based rubber, solvents, sealants, oils, greases or wires.
- In order to improve the reliability under actual working conditions, quality checks are carried out as close as possible to actual working conditions.
- This product can choose built-in magnet. Therefore, be careful not to place floppy disks, magnetic cards, or other magnetic recording media near this unit, as data may be damaged or lost.

