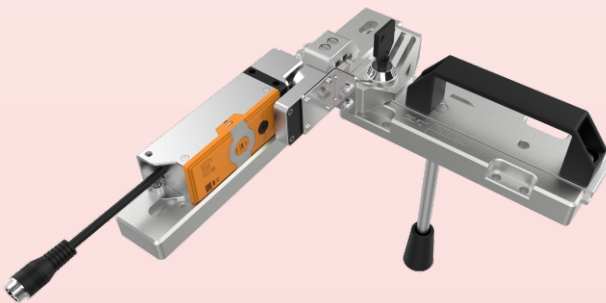
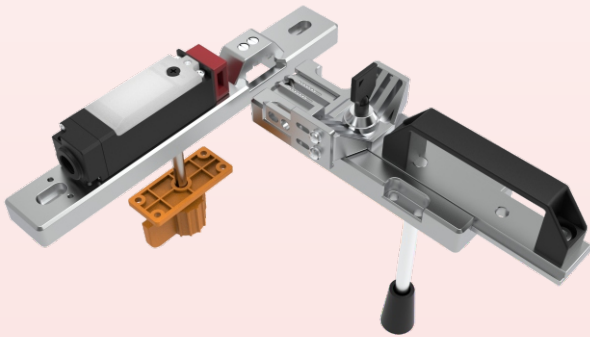
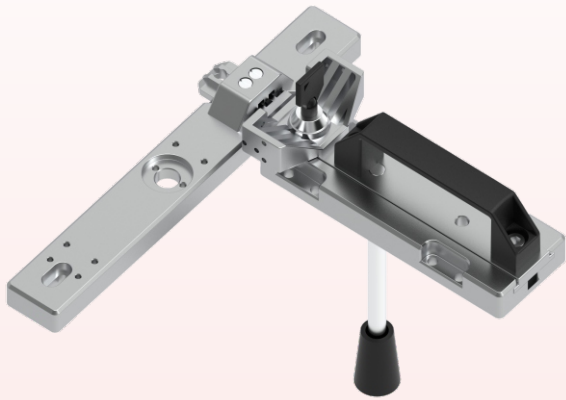


TSL1 safety slide handle



Description and features




TSL1 Safety Gate Day can effectively prevent the operator from accidentally starting the equipment when he is locked up in the dangerous area, and safely and reliably solve the risk of operating in the indoor dangerous area. Support tagout lockout, with reed interlock switch, RF RFID switch, magnetic coding safety switch, etc.

Technical parameters

Mechanical parameters	
Mode of operation	Mechanical
Material	Aluminum, stainless steel, plastic
Size	Refer to dimensional drawing
Weight	1.2kg
Holding force	100kg
Apply environment	For sliding doors, it supports left turn sliding and right turn sliding. When used to rotate the door, it supports left turn sliding and right turn sliding.




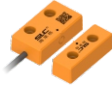





※Depending on the product configuration and manufacturing process, the actual product size, weight may vary, please refer to the actual product.

TSL1 product selection

TSL1 product selection		
Picture		
Content	Movable end mounting base, M4 combination screw, movable end handle, lock key, handle	Fixed end mounting base plate
Type	TSL1A1 support tagout lockout	TSL1A2
Order No.	LOT232064	LOT2900040
Picture		
Content	Escape handle	
Type	TSL1AD3	
Order No.	LOT20010(optional)	

※the escape handle is an optional part, which can be used with the movable end and the fixed end (see the product information of the safety door or call the company for details).

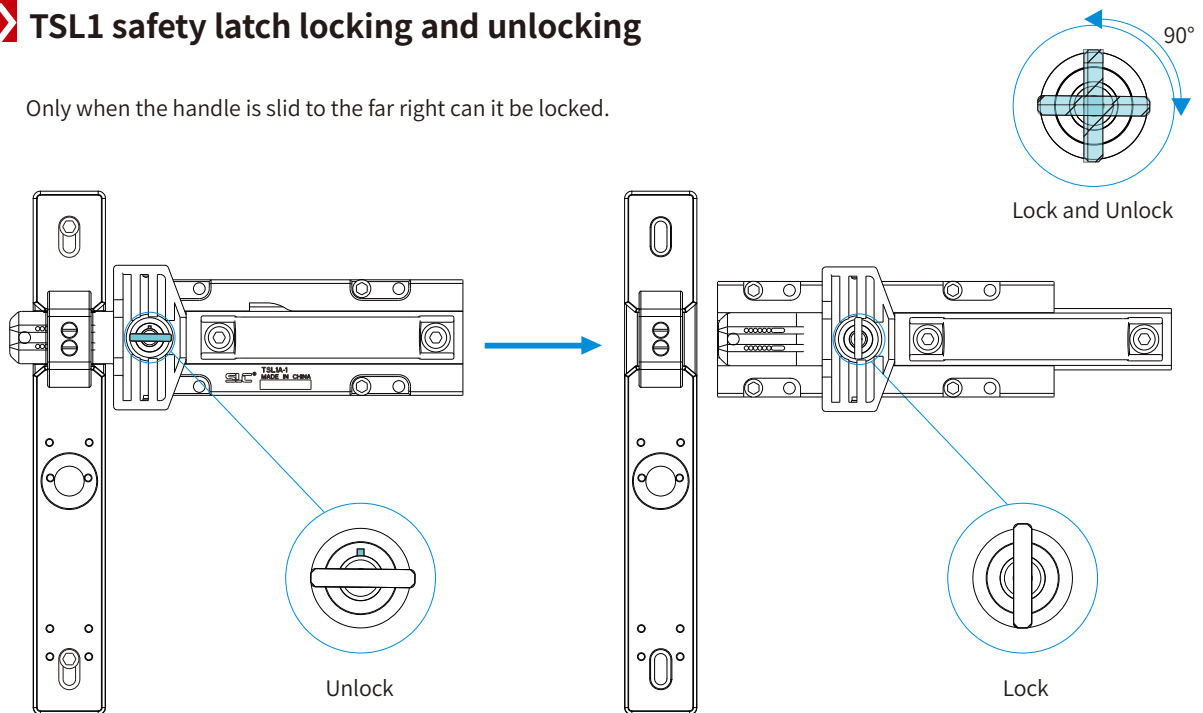


Supported products						
Picture	Product name	LOT	Picture	Product Name	Product type	LOT
	Reed interlocking Safety switch TTS12C10	LOT1033220L21		Magnetically coded safety switch TMC1A	Bracket	LOT482922M21
	1 inch aluminum snap lock	LOT1IN092016		Magnetically coded safety switch TMC3A2C		LOT482622M20
	38mm Insulated safety padlock	LOT387865PA		TML left door mounting kit	Left bottom plate	LOT9635872L33
	Warning signs	LOT1457508PA		TML right door mounting kit	Left key holder	LOT9635872L44
				TML right door mounting kit	Right bottom plate	LOT9635872R33
	TRL 1 NO.1 mounting bracket	LOTTTL1-ZJ01		TML right door mounting kit	Right key holder	LOT9635872R44
			TRL2 mounting kit	TRL2 NO.2 mounting bracket	LOTTRL2-ZJ02	
	RFID safety switch TMC7A	LOT942513L212C	Protective lock switch(TRL2M0L1)	LOT454833L030SCPE	Bracket	

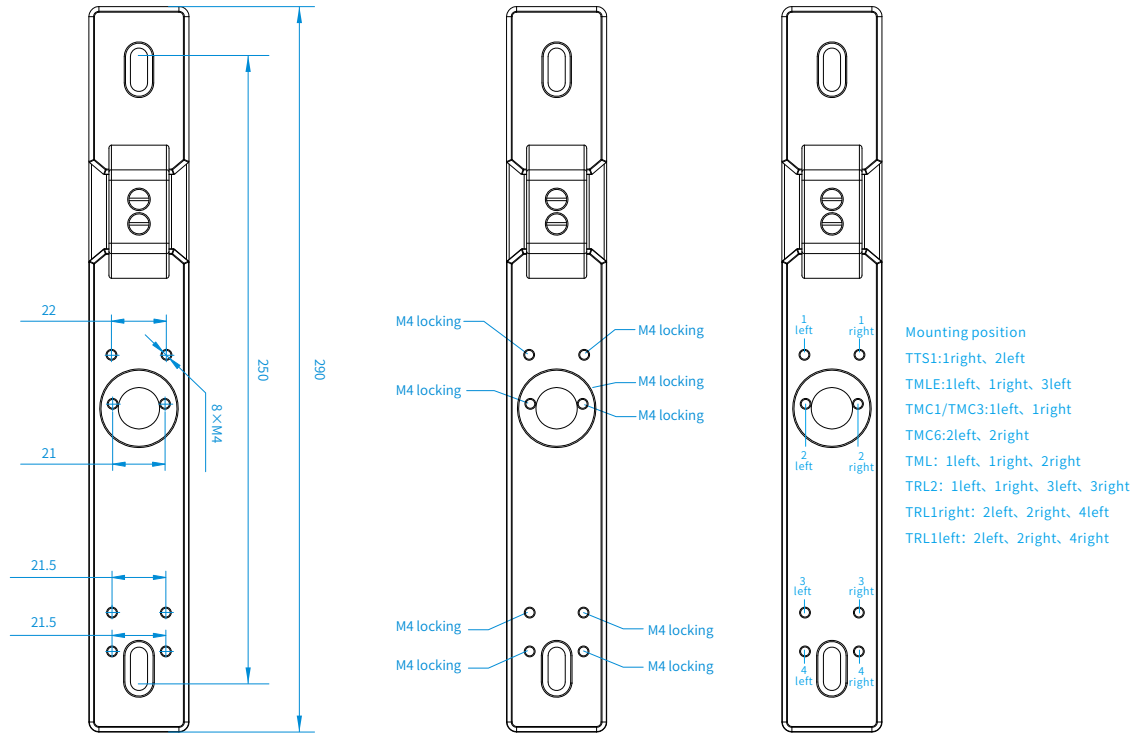
※Please consult the sales staff for parts not shown

TSL1 safety latch locking and unlocking

Only when the handle is slid to the far right can it be locked.

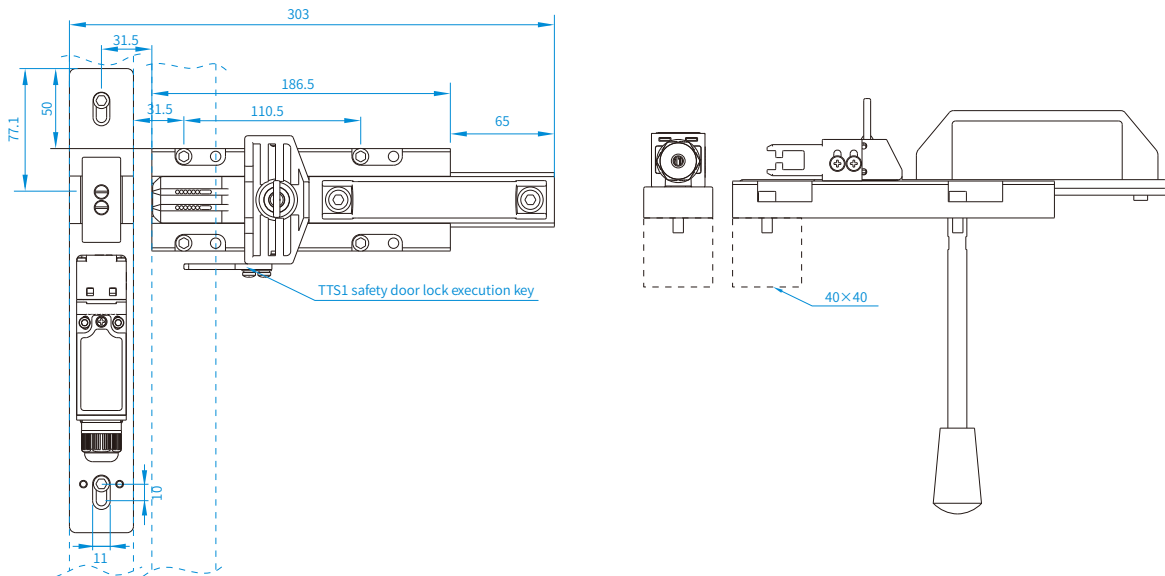


Instructions for hole location selection of fixed end installation base plate of TSL safety latch TSL1A2



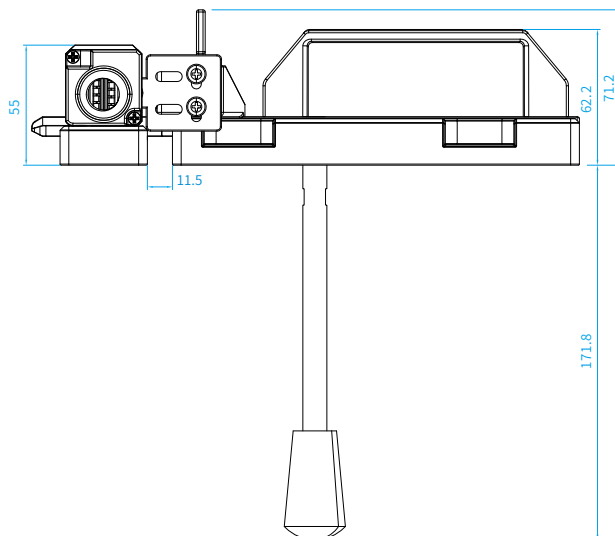
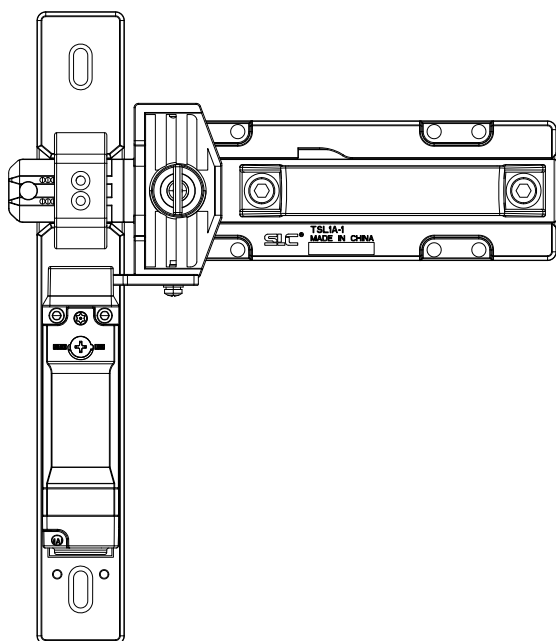
Installation dimensions of TSL1 safety latch and safety switch

TTS1 Installation



※ Depending on the product configuration and manufacturing process, the actual product size, weight may vary, please refer to the actual product.

TMLE safety lock installation dimension



Installation drawing of TTS1 series latch spring interlock safety switch

① Fix the fixed end mounting base with M6 screws on the side of the safety door;

② Unscrew the four screws of the executive end of the TTS1 safety lock, and rotate the executive end and the transmission rod synchronously (according to the actual use situation);

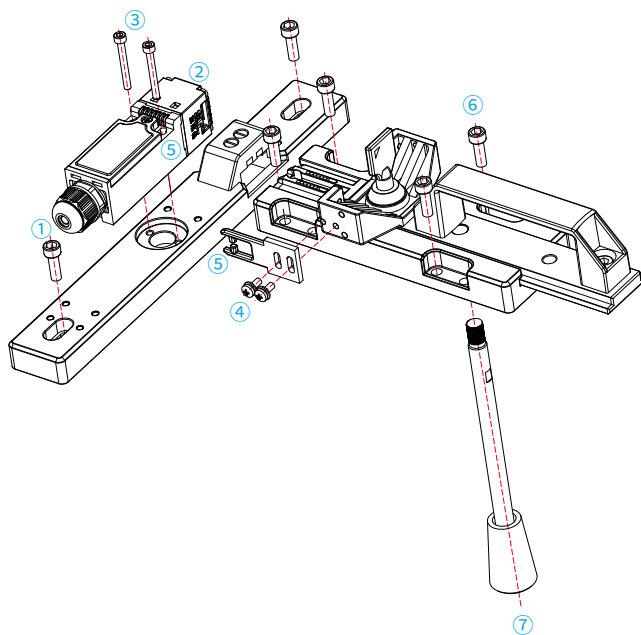
③ Use M4×35 screws to fix the TTS1 series safety lock on the fixed end mounting base;

④ Lock the execution key with an M4 combination screw on the sliding handle at the movable end as shown in the figure;

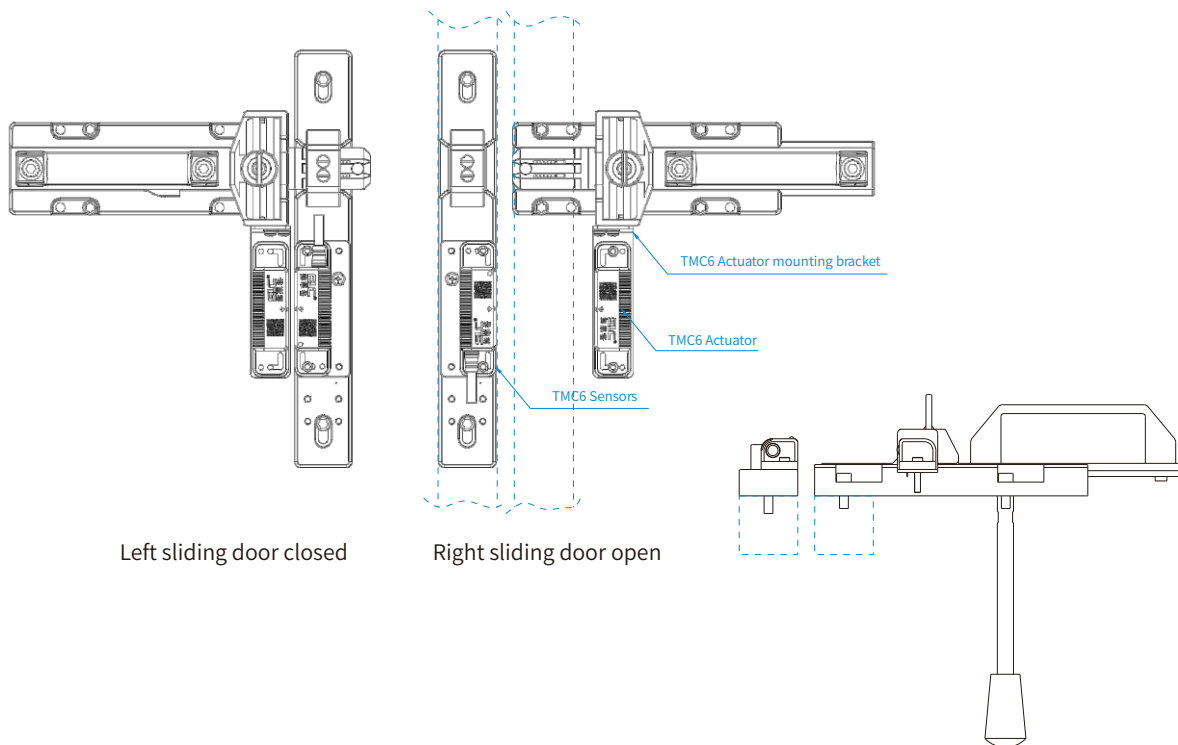
⑤ Insert the movable end execution reed key into the TTS1 executive reed key jack, and push the movable end mounting base farthest from the fixed end to ensure that the rightmost right of the movable end handle slider is aligned with the rightmost right of the movable end mounting base;

⑥ Use M6 screws to lock the movable end mounting base on the active side of the safety door, pull the handle back and forth to confirm that the execution key can be inserted into the actuator jack normally;

⑦ If you have purchased an escape rod, you also need to screw the escape rod into the M10 threaded hole on the back of the sliding handle at the movable end, and check that it can slide normally.



TMC6 series RFID safety switch Installation



Left sliding door closed

Right sliding door open

① Fix the mounting base at the fixed end to the side of the safety door with M6 screws;

② Use two M4×14 screws to fix the door lock fixing plate on the fixed end mounting base;

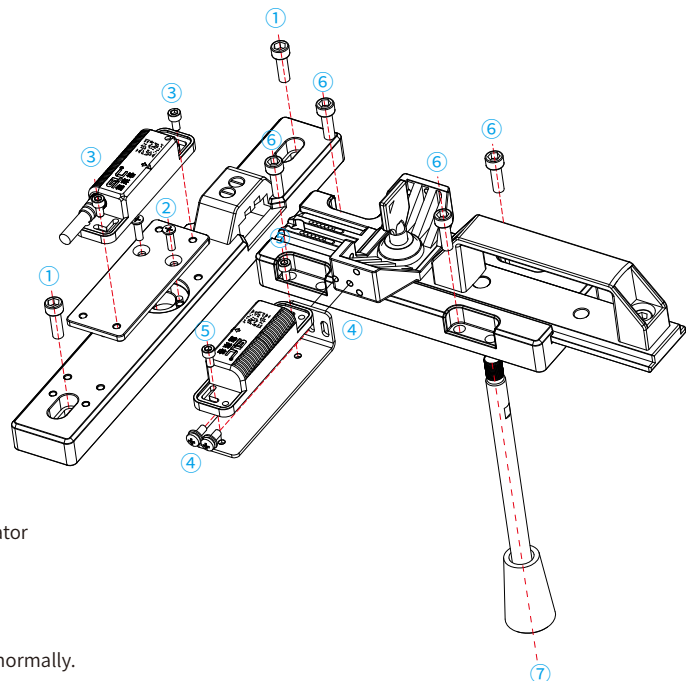
③ Use M4×8 screws to fix the TMC6 series safety lock sensor on the door lock fixing plate;

④ Lock the TMC6 series mounting bracket with M4 combination screws as shown in the figure set on the sliding handle of the movable end;

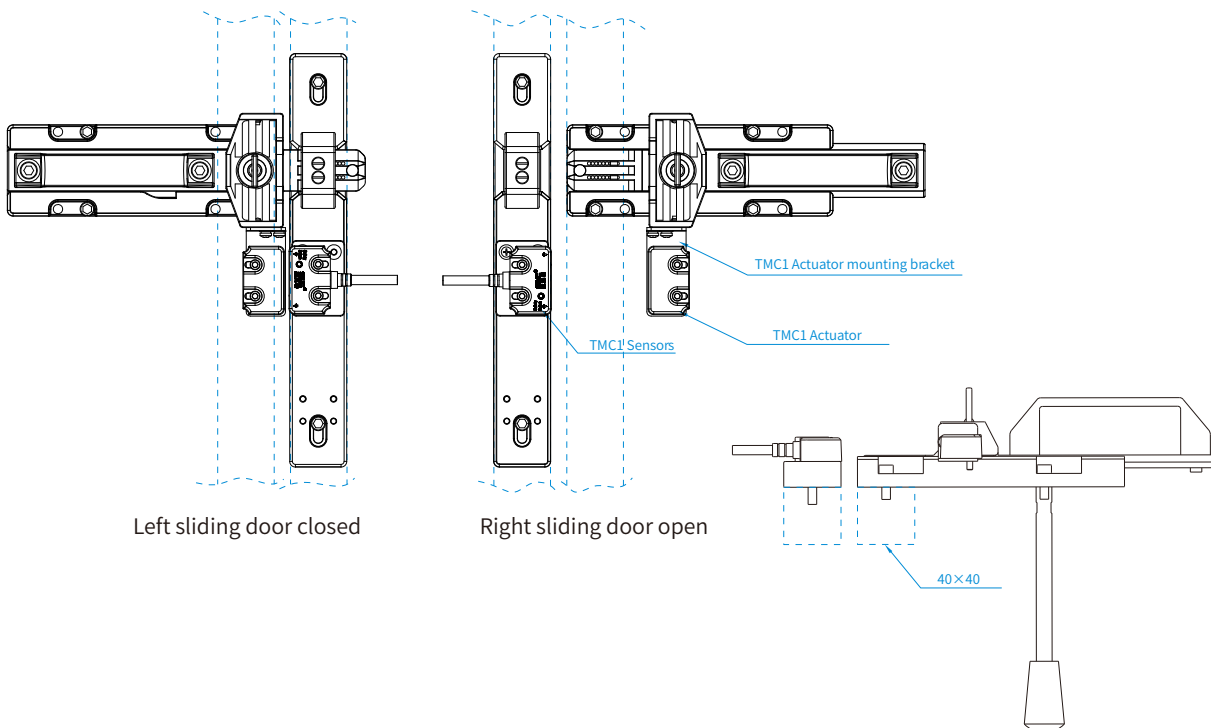
⑤ Fix the M4×8 screw of the TMC6 series actuator to the TMC6 series on the mounting bracket and push the movable end mounting base farthest from the fixed end, ensuring that the rightmost right of the movable end handle slider is aligned with the rightmost right-hand of the movable end mounting base;

⑥ Use M6 screws to lock the movable end mounting base on the active side of the safety door, and pull the handle back and forth 3 to confirm that the execution key can be inserted into the actuator jack normally;

⑦ If you have purchased the Escape Pavilion, you also need to screw the Escape Pavilion into the active end slide move the M10 threaded hole on the back of the handle and make sure it slides normally.

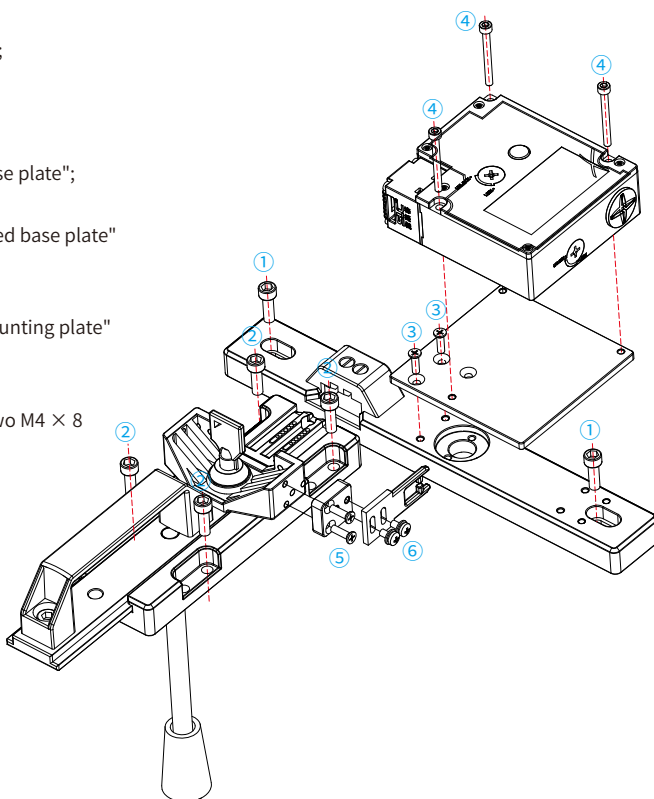


TMC1 series magnetic coding safety switch installation

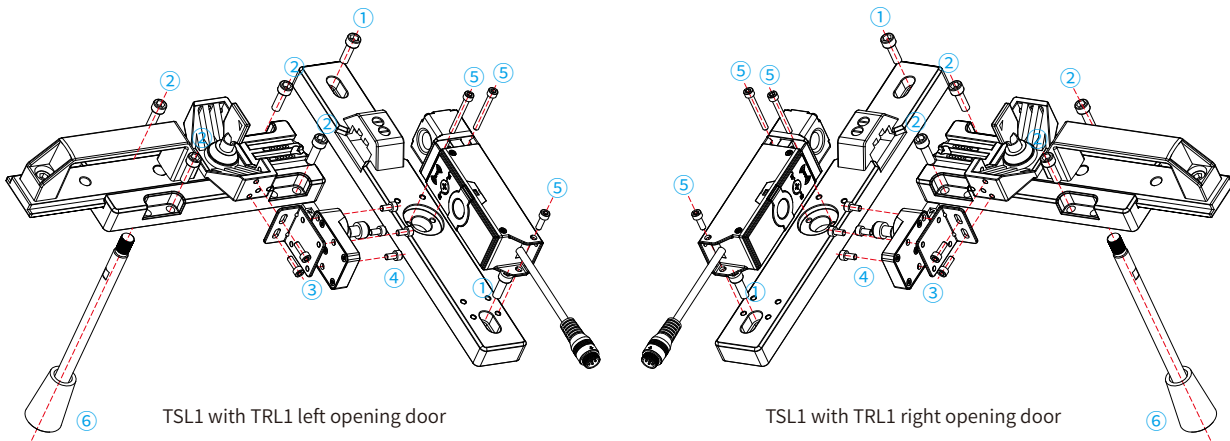


Installation steps of TML 1/2 series safety door lock

- ① 1. Fix "TSL1 safety door latch fixing end" with two M6 screws;
- ② 2. Fix "TSL1 latch movable end" with 4 M6 screws;
- ③ 3. Use 5 km4 × 10 screws to fix "TML fixed end mounting base plate";
- ④ 4. Fix the "TML protection lock switch" on the "other TML fixed base plate" with three M4 × 40 screws;
- ⑤ 5. Use 2 "CB4 × 10 screws" to fix the "TML execution key mounting plate" on the sliding block at the movable end of TSL safety latch;
- ⑥ 6. Fix the "direct key" on the "TML key mounting plate" with two M4 × 8 combination screws.



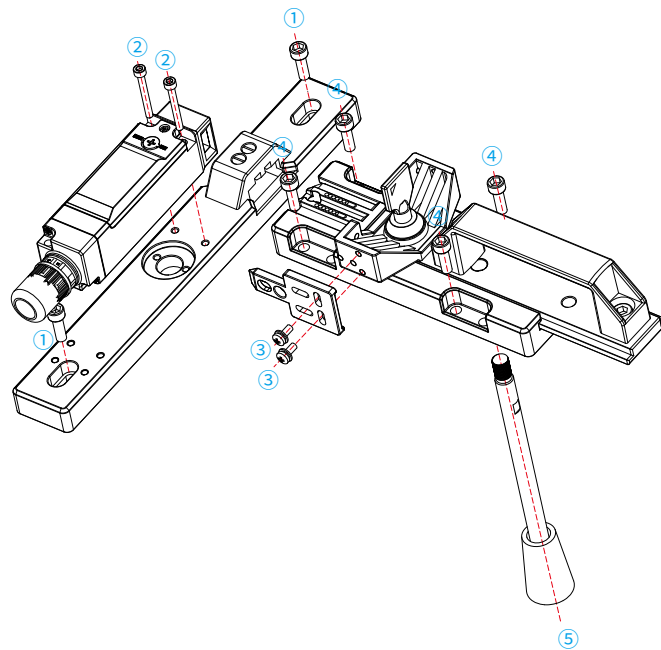
TRL1 series security door lock installation diagram



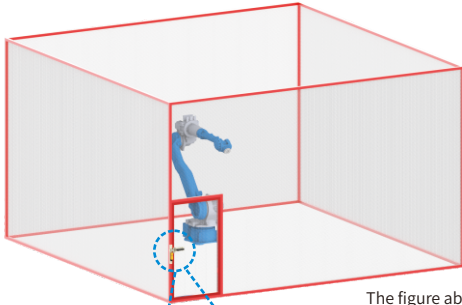
- ① Use 2 M6 screws to fix the "TSL1 safety gate fixing end";
- ② Use 4 M6 screws to fix the "TSL1 safety gate active end";
- ③ Secure the "TRL1 mounting bracket" with 2 M4×10 screws;
- ④ Use 4 M4×10 screws to fix the "TRL1 actuator" to the "TRL1 mounting bracket";
- ⑤ Use 2 M4×28 and 1 M4×10 screws to fix the "TRL1 sensor" at the "TSL1 safety gate fixing end";
- ⑥ If you have purchased an escape rod, you also need to screw the escape rod into the M10 threaded hole on the back of the sliding handle at the movable end and ensure that it can slide normally

TMLE installation

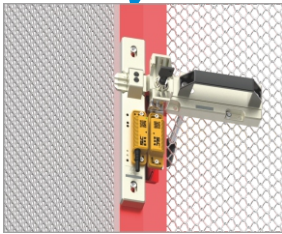
- ① Use 2 M6 screws to fix the "TSL1 safety gate fixing end";
- ② Use 2 KM4×35 screws to fix the TMLE safety lock to the TSL1 security gate fixing end bottom plate;
- ③ Use 2 M4×10 screws to fix TMLE-K2 to the TSL1 safety gate movable end slider mounting hole;
- ④ TMLE-K2 alignment with TMLE actuator jack test can be plugged normally, with 4 M6 screws to fix the TSL1 movable end bottom plate;
- ⑤ Install the TSL1 back handle according to the needs (need to open holes in advance).



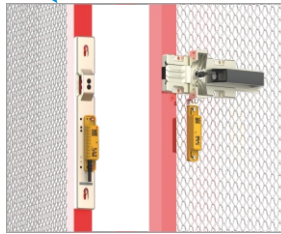
➤ Installation effect of safety latch application scenario



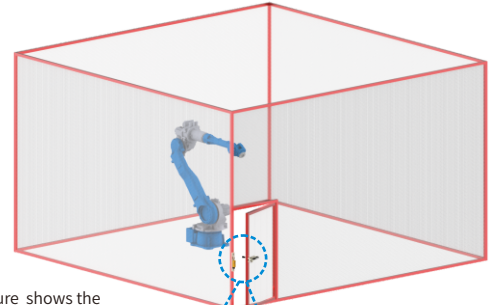
The figure above shows the door closing state. The handle is in the position closest to the tsl1a2 fixed installation base plate. At this time, the lock key cannot be pulled out, but the handle can slide left and right.



When the door is closed, the locking key is horizontal, and the key cannot be rotated and pulled out. At this time, the matching safety switch is in the on state.



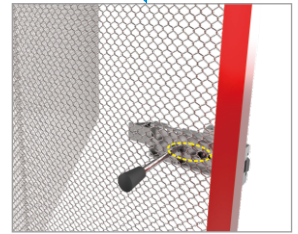
When closing the door, pull the handle to the right as far as possible, turn the locking key from 90° in horizontal count-erclockwise to vertical, lock the door latch, at this time, the matching safety switch is in off state, pull out the key after locking, and open the safety door.



The above figure shows the door opening state. In order to operate safely, it is necessary to slide the handle to the left most side, turn the locking key to the vertical state, and pull out the operating key to avoid the door being unlocked.



When opening the door, pull the handle to the far right, lock the key in the vertical state, and pull out the key. In this state, even if the safety door is closed, the matching safety switch cannot be turned on, which can ensure the safety of personnel and equipment in the safety door.



When installing the escape pole, users need to reserve enough installation space for the escape pole in the sliding area of the escape pole.