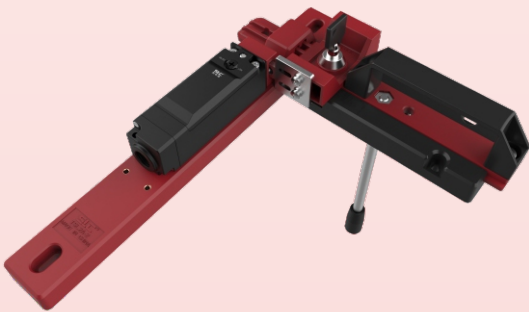
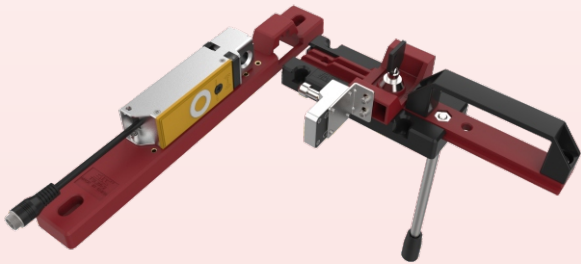
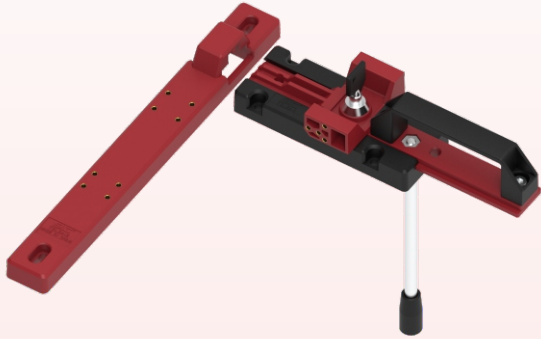




TSL2 safety slide handle



Description and features

TSL2 safety bolt body is made of plastic material. When safety protection is made on the fence door, it can effectively prevent operators from accidentally starting the equipment when they are closed in the dangerous area, and safely and reliably solve the risk of operation in the indoor dangerous area. Support tag out and lock out, cooperate with reed interlock switch, RF RFID switch, magnetic code safety switch, etc.

Technical parameters




Mechanical parameters

Mode of operation	Mechanical
Material	Stainless steel, plastic
Size	Refer to dimensional drawing
Weight	500g
Holding force	100kg
Apply environment	For sliding doors, it supports left turn sliding and right turn sliding. When used to rotate the door, it supports left turn sliding and right turn sliding.

※Depending on the product configuration and manufacturing process, the actual product size, weight may vary, please refer to the actual product.












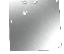








TSL2 product selection

TLS2 product selection

Picture		
Content	Movable end mounting base, M4 combination screw, movable end handle, lock key, handle	Fixed end mounting base plate
Type	TSL2A1	TSL2A2
Order No.	LOT2538050	LOT333413506
Picture		
Content	Escape handle	
Type	TSL2AD3	
Order No.	LOT200M8 (optional)	

※the escape handle is an optional part, which can be used with the movable end and the fixed end (see the product information of the safety door or call the company for details).



Supported products						
Picture	Product name	LOT	Picture	Product Name	Product type	LOT
	TTS13C	LOT1033220L30		Magnetically coded safety switch TMC1A		LOT482922M21
	TTS12C10	LOT1033220L21				LOT482622M20
	1 inch aluminum snap lock	LOT11N092016		Magnetically coded safety switch TMC3A2C	Bracket	
	38mm Insulated safety padlock	LOT387865PA		Left bottom plate		LOT9635872D33
				Left key holder		LOT9635872L44
	Warning signs	LOT1457508PA		Right bottom plate		LOT9635872D33
				Right key holder		LOT9635872R44
	TRL2 mounting kit	LOT1457508PA		TRL2 NO.2 mounting bracket		LOTTRL2-ZJ02
				Protective lock switch(TRL2M0L1)		LOT454833L030SCPE
	RFID safety switch TMC7A			Bracket		LOT942513L212C
	D4SL-K	LOT762911DLSL		Protective lock switch TRL1M0A1P	TRL 1 NO.1 mounting bracket TRL1-ZJ01	LOT136352299SCPE

※Please consult the sales staff for parts not shown

The Operating Instructions of TSL2

LOCK: when the key convex point points to LOCK, the door bolt is locked in the open state, and the door is opened, and the door cannot slide to close;

FREE: when the key convex point points to FREE, the bolt handle is in a free state, which can slide freely axially to open and close the door;

Locking Padlock: when the door bolt is in the locking state, lock the padlock in the back-end padlock hole to ensure that the door bolt will not be unlocked to the free state by mistake, resulting in false door closing;

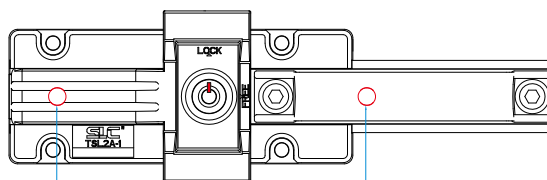
FREE Padlock: when the latch is in a free state, lock the padlock in the front-end padlock hole to ensure that the bolt will not be opened by mistake, resulting in false opening.



LOCK



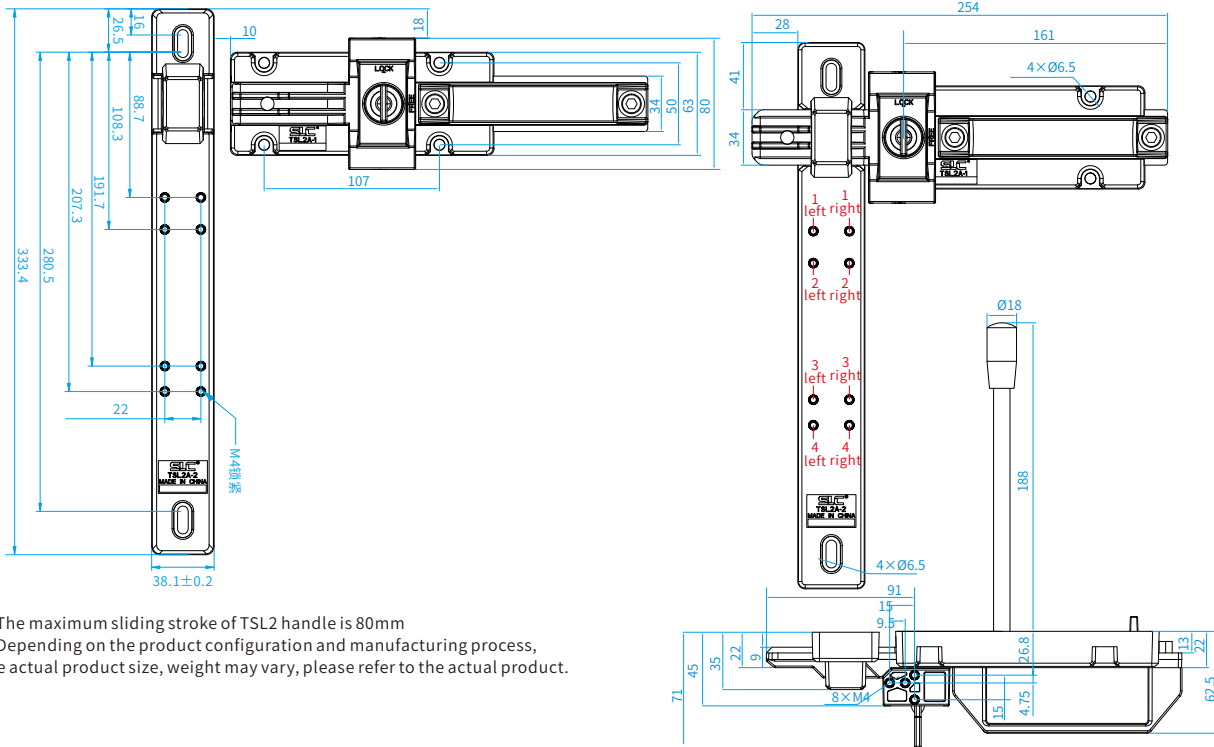
FREE



Front end hanging lock hole

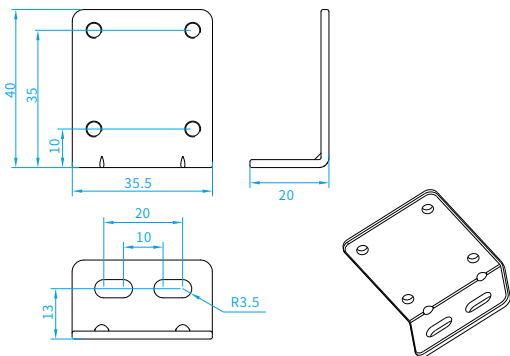
Rear end hanging lock hole

Installation dimensions of TSL2 (mm)



※The maximum sliding stroke of TSL2 handle is 80mm
 ※Depending on the product configuration and manufacturing process, the actual product size, weight may vary, please refer to the actual product.

TSL2 Safety latch matching TRL1 dimensions (TRL1 No. 1 mounting bracket)

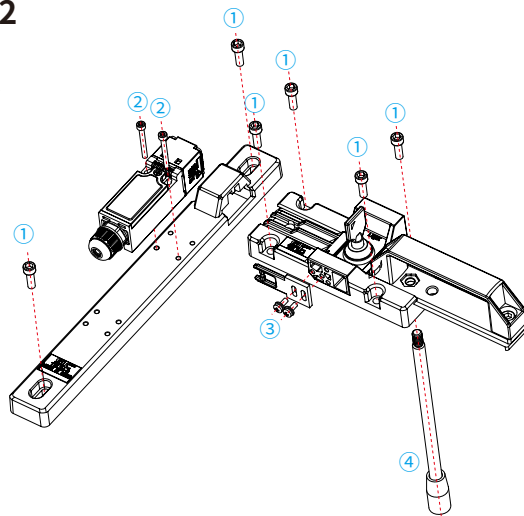


Name: TRL1 No. 1 mounting bracket
 Model: TRL1-ZJ01

Installation steps and diagram of TSL2

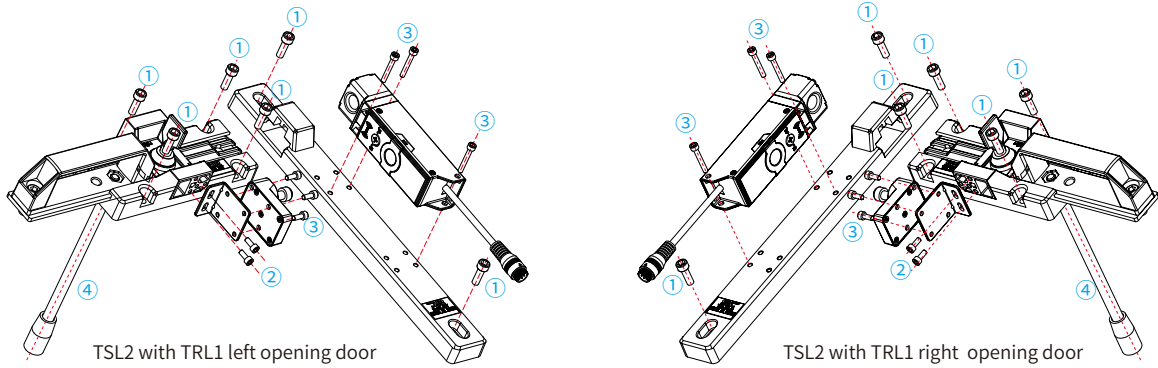
- 1、TSL2 fixed end and TSL2 movable end are fixed on the door frame with M6 screws;
- 2、Install the supporting safety products and required installation accessories on the TSL2 fixed end mounting base with M4 screws;
- 3、Install the actuator or moving parts of the matched safety products with M4 screws to the threaded holes on both sides of the sliding block at the moving end;
- 4、Users who have purchased the escape rod need to slide the movable end of the escape M10 nut into the front hexagon hole, and screw the escape rod from the back to check that it can slide normally.

※Note: The key must be turned to the free position before installation



TSL2 SAFETY SLIDE HANDLE

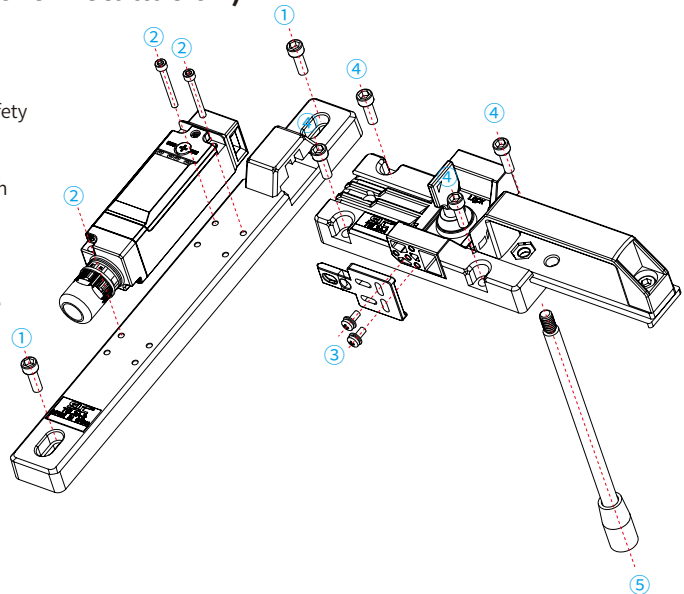
▶ TSL2 safety gate with TRL1 installation steps and illustration (key must be screwed to the FREE position before installation)



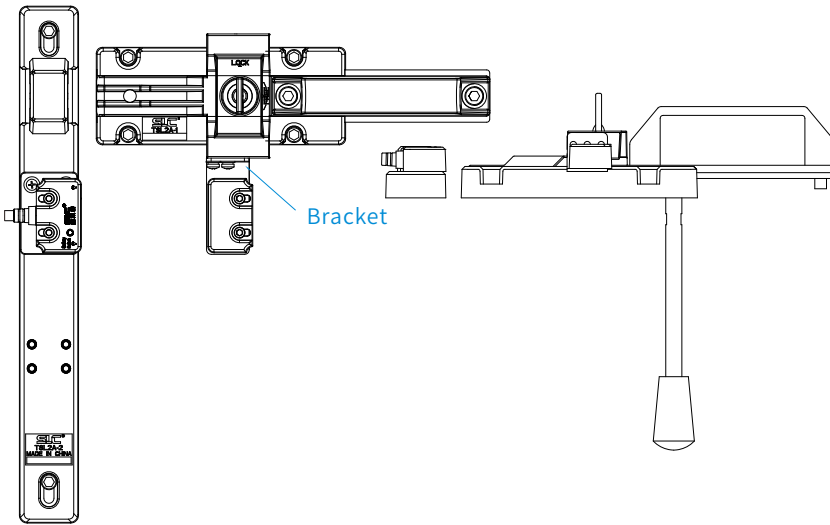
1. Fix the TSL2 fixed end and TSL2 movable end to the door frame with M6 screws;
2. Install the TRL1 mounting bracket with M4 screws on the threaded holes on both sides of the TSL2 movable end slider;
3. Install the TRL1 actuator and sensor M4 screws to the mounting bracket and the fixed end mounting base respectively;
4. Users who have purchased an escape rod need to slide the active end of the escape MIO nut into the front hexagonal hole, and screw the escape rod from the back to check that it can slide normally.

▶ TSL2 safety gate with TMLE installation steps diagram (the key must be screwed to the FREE position before installation)

1. Use 2 M6 screws to fix the "TSL2 safety door latch fixing end"
2. Use 3 KM4×35 screws to fix the TMLE safety lock to the TSL2 safety door latch fixed end bottom plate;
3. Use 2 M4×10 screws to fix TMLE-K2 to the TSL1 safety door latch movable end slider mounting hole;
4. After TMLEK2 alignment TMLE actuator jack test can be plugged and unplugged normally, use 4 M6 screws to fix the TSL2 movable end bottom plate;
5. Install the TSL2 back handle according to the needs (need to open the hole in advance);

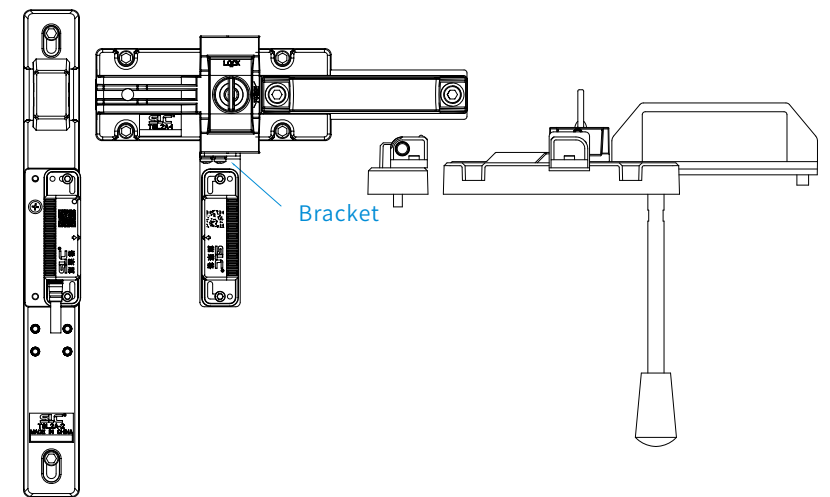


TMC1/TMC3 Installation



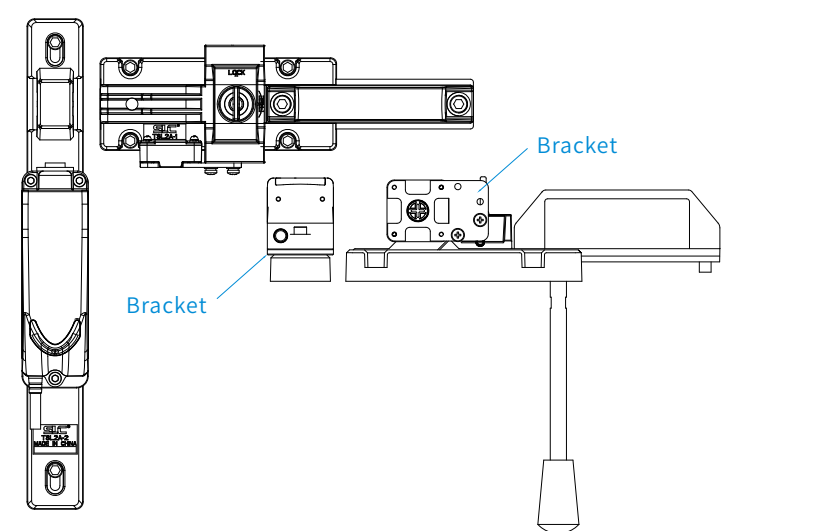
Installation position	
TSL2A1	TSL2A2
<p>Note: The movable end needs to add a mounting bracket</p>	

TMC6 Installation



Installation position	
TSL2A1	TSL2A2
<p>Note: The movable end needs to add a mounting bracket</p>	

TRL2 Installation

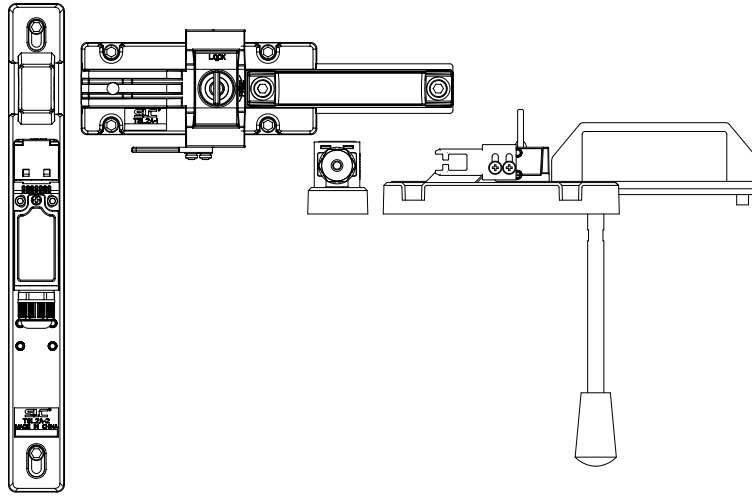


Installation position	
TSL2A1	TSL2A2
<p>Note: The fixed end and the movable end needs to add a mounting bracket</p>	

TSL2 SAFETY SLIDE HANDLE

SAFETY LATCH

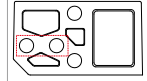
TTS1 series reed interlock safety switch mounting dimensions



Installation position

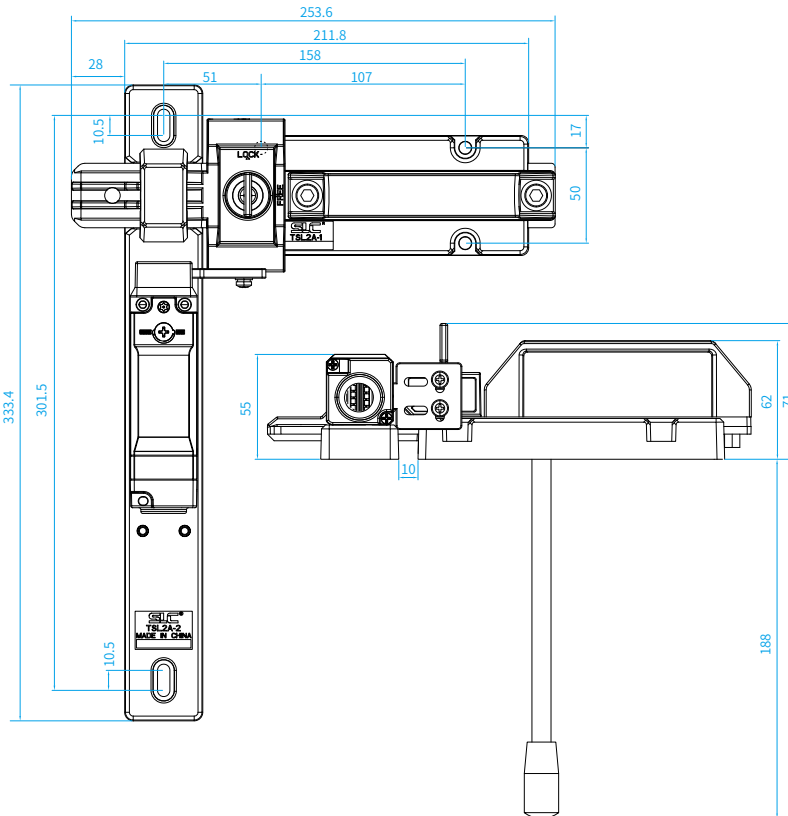
TSL2A1

TSL2A2



Note:
No need
to add
mounting
bracket

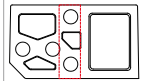
TMLE safety lock installation drawing and dimensions



Installation position

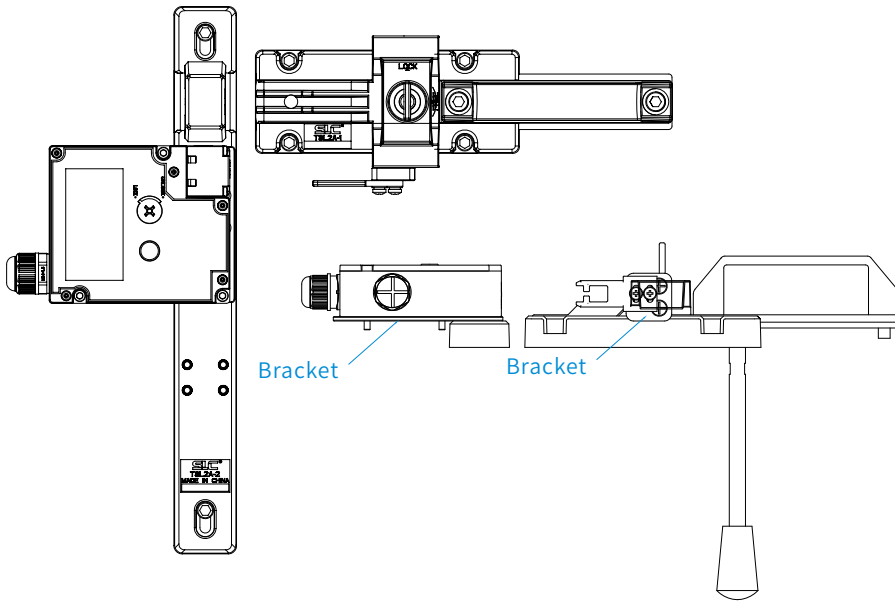
TSL2A1

TSL2A2



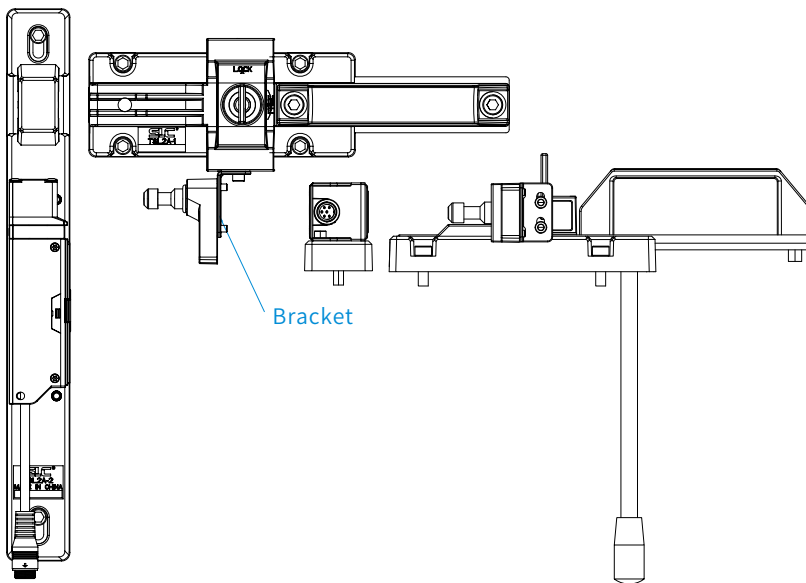
Note:
The actuator
uses TMLE-K2

TML series security door lock installation diagram



Installation position	
TSL2A1	TSL2A2
<p>Note: The fixed end and the movable end needs to add a mounting bracket</p>	

TRL1 series security door lock installation diagram



Installation position	
TSL2A1	TSL2A2
TRL1 left	TRL1 right
<p>Note: A mounting bracket is required to install the actuator</p>	