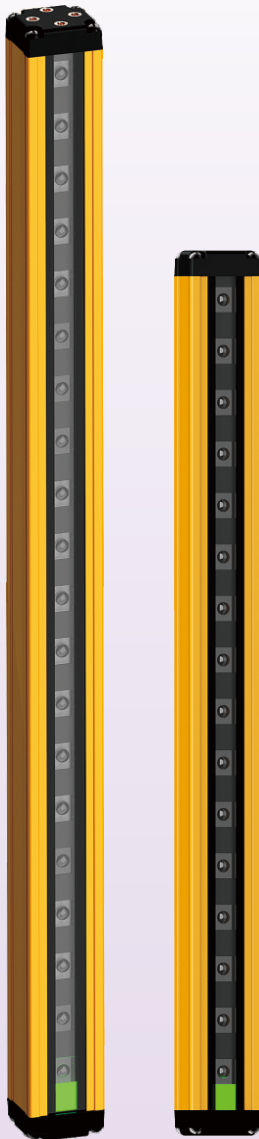




LC series light curtain



▶ LC light curtain performance characteristics

LC Safety Light Curtain is a newly upgraded four-level safety light Curtain.

A new type of through-beam product developed and developed by international advanced technology. Passed ISO13849-1 PLE and EN61496-1/2 Type4 certification has the characteristics of high safety and high reliability, with strong stability, can completely replace imported area sensors, such as: NA series, SAS series, GL-S series, PJV series, etc., has been widely used in assembly lines, injection molding machines, hydraulic presses and other equipment with low motion speed. This light curtain has the following characteristics:




- ◆ Adopt the most advanced infrared light synchronization technology in Europe;
- ◆ Using more small chip devices and the latest foreign technology, the blind zone invalid length is shorter;
- ◆ Periodically scan the light spot through the CPU;
- ◆ Small size, section size is only 25×28mm
- ◆ Have good on-site applicability
- ◆ Pulse test, self-diagnosis of the output circuit, forced and transient shutdown (spontaneous self-receipt) with a short periodic pulse (does not affect the work) If a shutdown pulse occurs, no feedback, the host will turn off the OSSD output to ensure safety;
- ◆ Frequency selection function, adjacent light curtain can be set different frequencies, so as to prevent interference.

▶ LC series light curtain Model Description




25	LC	0180	—	N	06			S
Light Curtain					Beam Number 4~80	Range* Blank: 4 m(default)		
Resolution 15mm 25mm 30mm 45mm	Protection height 180~3240mm	Output Type E: Emitting NR: NPN receiver PR: PNP receiver N: A pair of NPN light curtain P: A pair of PNP light curtain		06: 6m 08: 8m 12: 12m		S: 15cm cable with aviation plug L:Cable straight out (IP67)		

▶ LC series Light Curtain Model Example

Emitter

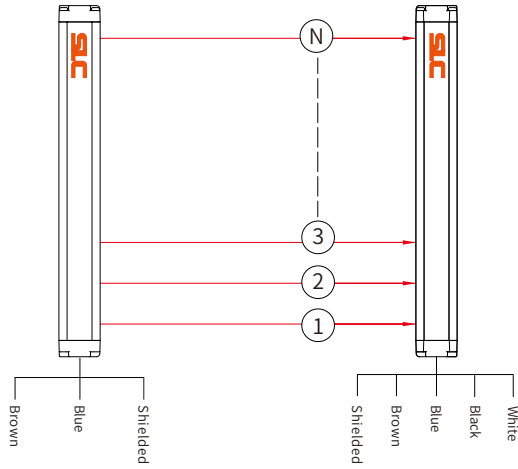
 施莱格 MADE IN CHINA  10006210001000001	15LC0110-E10S(EMITTER)		
	Protection height: 110mm Supply voltage: DC24V Protection class: <input type="checkbox"/> IP65 <input type="checkbox"/> IP67	Sensible object: 15mm Response time: 4.5ms Scanning range: <input type="checkbox"/> 4m <input type="checkbox"/> 6m <input type="checkbox"/> 8m <input type="checkbox"/> 12m	

Receiver

 施莱格 MADE IN CHINA  10006220001000001	15LC0110-NR10S(RECEIVER)		
	Protection height: 110mm Supply voltage: DC24V Protection class: <input type="checkbox"/> IP65 <input type="checkbox"/> IP67	Sensible object: 15mm Response time: 4.5ms Scanning range: <input type="checkbox"/> 4m <input type="checkbox"/> 6m <input type="checkbox"/> 8m <input type="checkbox"/> 12m	

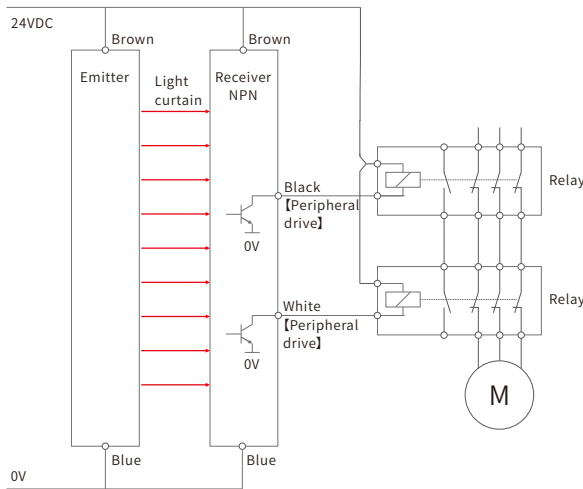
*15mm and 30mm resolution gratings do not provide a range greater than 4 meters

LC safety light curtain wiring

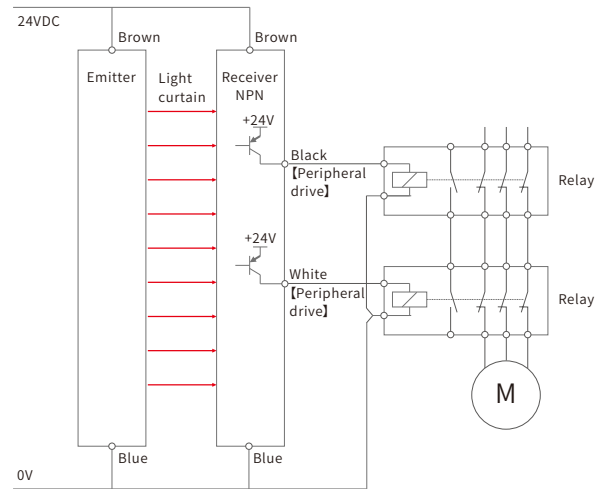


Item	Color	Description
Emitting	Brown+24VDC	Supply voltage, DC24V
	Blue GND	Power supply 0V
Receiver	Brown+24VDC	Supply voltage, DC24V
	Blue GND	Power supply 0V
	Black OSSD1	Safety output 1: can be directly into PLC, safety relay
	White OSSD2	Safety output 2: can be directly into PLC, safety relay

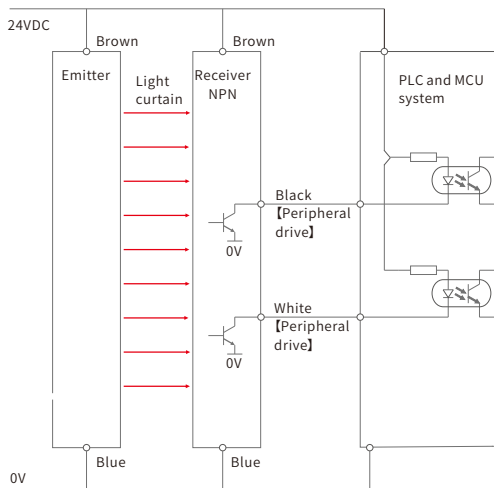
LC (NPN) with application wiring diagram with relays



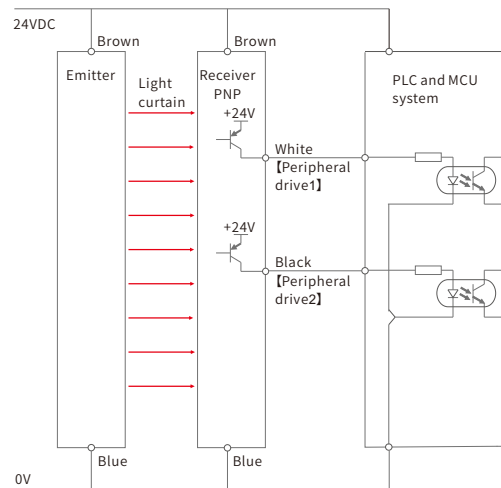
LC (PNP) with application wiring diagram with relays



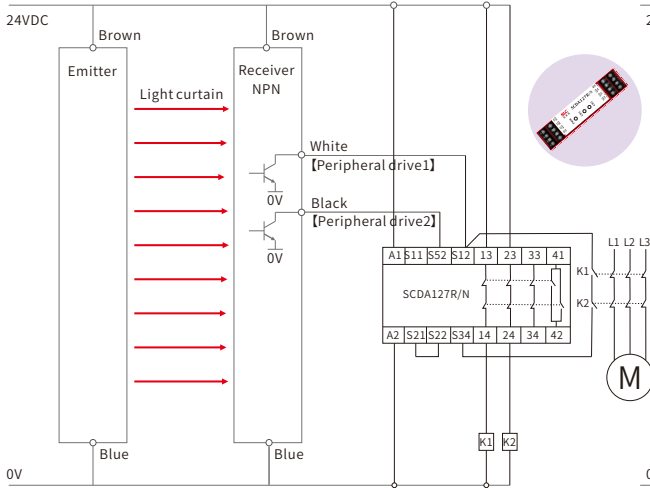
LC (NPN) with PLC application wiring diagram



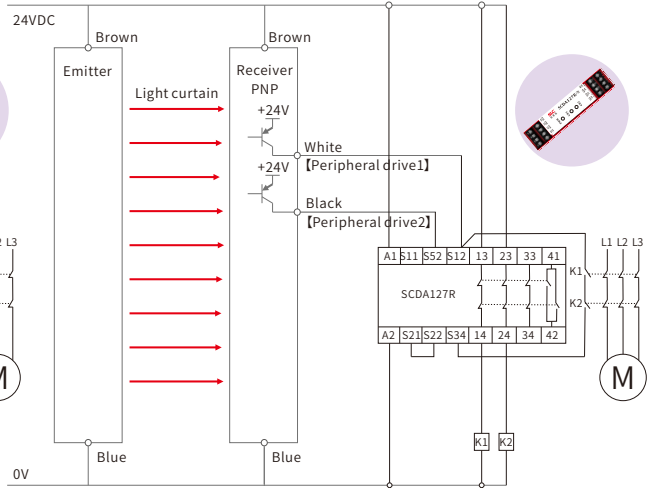
LC (PNP) with PLC application wiring diagram



LC (NPN) with SCD127R/N application wiring diagram

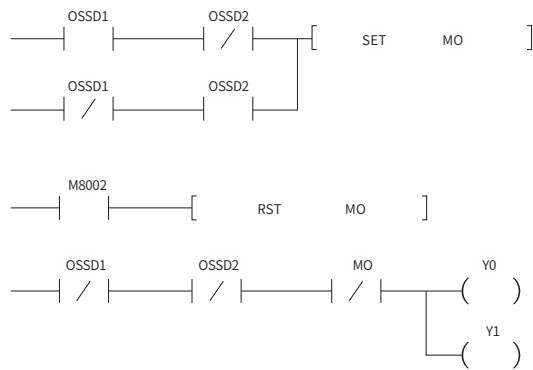


LC (PNP) with SCD127R application wiring diagram



EXPLAIN	
◆	NPN type output light curtain is equipped with SCD127R/N type safety relay
◆	PNP type output light curtain is equipped with SCD127R type safety relay

LC safety light curtain connected to PLC (Mitsubishi) programming reference program



PLC signal logic status truth table

OSSD1 Input	OSSD2 Input	Y1 Output	Y2 Output	Light curtains working state
0	0	0	0	Light curtains shading, Normal working
0	1	0	0	Fault
1	0	0	0	Fault
1	1	1	1	light curtain light, normal operation

※OSSD1/2 input refers to the light curtain output to the PLC signal

Y1/Y2 refers to the output signal after PLC processing OSSD1/2;

0 indicates Off, and 1 indicates On.

LC safety light curtain common fault

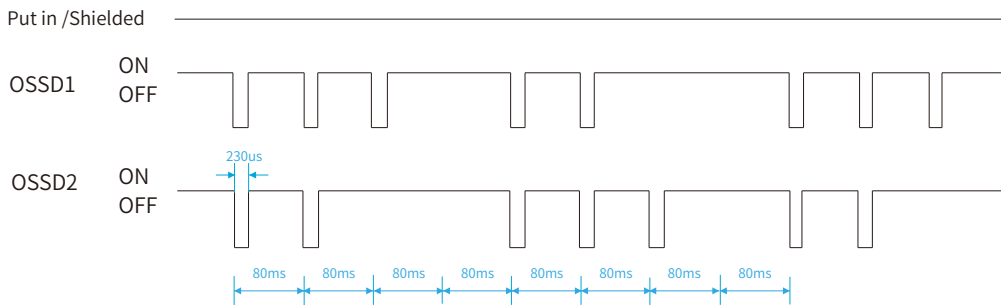
		LED indicator light	Description
Launcher		Green on	Works fine
		1Hz red flashing	Launch tube failure
		2Hz red green flash alternately	Circuit Fault
		2Hz green flashing	Software failure

		LED indicator light	Description
Receiver		Green on	All beams on
		Red on	Beam blocking (not good light)
		1Hz green flashing	Interference
		1Hz red flashing	Output error, overload, short circuit, etc
		2Hz green flashing	Software failure
		2Hz red green flash alternately	Circuit Fault

LC series safety light curtain OSSO outputs self-diagnostic timing

The LC series miniature safety light curtain have OSSD output self-diagnosis function. During the normal on-OSSD output of the light curtain, the internal control timing control unit of the light curtain periodically and actively turns off the OSSD1 and OSSD2 outputs in turn. During the short shutdown of OSSD1 or OSSD2, the internal timing control unit of the light curtain detects whether the OSSD1 or OSSD2 level is consistent with the expected result, and if so, the OSSD switch is in the E normal working state; If it is inconsistent with the desired result, the OSSD fails, and the system will immediately shut down both OSSDs to ensure functional safety, at which point the receiving raster red LED flashes to indicate the fault. Therefore, when the LC safety light curtain connection load is PLC or a fast smart device with MCU control, it is necessary to filter out the self-test pulse in the program (suggested 1ms) to prevent the PLC or MCU from detecting this waveform and causing the machine to stop.


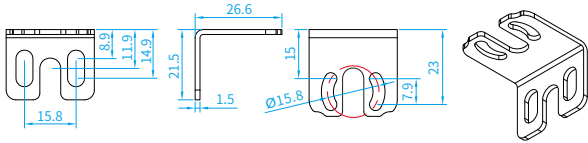

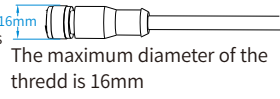

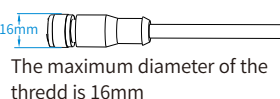
The figure below is the timing diagram of the PNP type light curtain self-diagnostic output waveform:



Technical Parameters of LC series Light Curtain

LC series light curtain (15/25/30/45 series)			
Protection height	180~3240mm (Customizable)	Response time	Reference selection table
Cross-sectional dimensions	25×28mm	Output type	NPN/PNP
Detection distance	0.1~4m(Range 6m,8m,12m can be customized)	Output current	≤200mA
Optical axes points	4~80 (Standard) ,Others to be customized	Enclosure	IP65 (IP67 customized))
Optical axis spacing (resolution)	10mm(15mm)/20mm(25mm)/25mm(30mm)/40mm (45mm Series)	Operating temp	-10~55°C
Infrared wavelength	940nm	Storage temp	-20~70°C
Synchrony	Phototiming	Humidity	15%~85%
Power supply voltage	24VDC±20%	Impact	10g/20ms
Maximum power	≤5W	PFHd	<1.2x10 ⁸
		MTTFd	516 years

LC Safety Light Curtain Accessories Selection Guide

Name	Shape	Model	Description	Dimensional drawing	Qty
Mounting brackets at both ends		LCZJ-01	Mounting brackets at both ends		4
Four-core, five-pin cable		LC 4035	Five-pin injection molded plug with 3.5m four-core shielded cable for LC series light curtain dual output receiver unit	 The maximum diameter of the thread is 16mm	1
Two-core three-pin cable		LC 2035	Three-pin injection molded plug with 3.5m two-core shielded cable for LC series light curtain dual output receiver unit	 The maximum diameter of the thread is 16mm	1

Cable model description

LC	4	030
Product family	Number of cable cores	Cable length
	2:2 core	030:3m
	4:4 core	060:6m
		100:10m

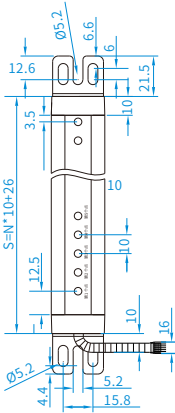
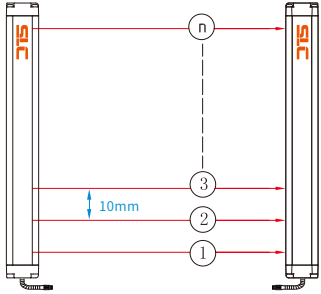
The cable length can be customized one by one, and it needs to be purchased separately

※Subject to product configuration and manufacturing process, the actual product size and weight may be different, please refer to the actual product

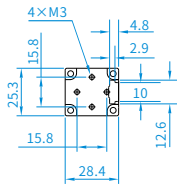
LC series light curtain specifications and selection guide

◆ 15LC series (Beam spacing: 10 mm, resolution: 15 mm) and mounting dimensions

Outline	Emitter	PNP type reception	NPN type reception	Number of optical axes	Response time (ms)	Protection height (mm)	Contour length (mm)
	15LC0110-E10□□S	15LC0110-PR10□□S	15LC0110-NR10□□S	10	4.5	110	126
	15LC0160-E15□□S	15LC0160-PR15□□S	15LC0160-NR15□□S	15	5.5	160	176
	15LC0210-E20□□S	15LC0210-PR20□□S	15LC0210-NR20□□S	20	6.5	210	226
	15LC0260-E25□□S	15LC0260-PR25□□S	15LC0260-NR25□□S	25	7.5	260	276
	15LC0310-E30□□S	15LC0310-PR30□□S	15LC0310-NR30□□S	30	8.5	310	326
	15LC0360-E35□□S	15LC0360-PR35□□S	15LC0360-NR35□□S	35	9.5	360	376
	15LC0410-E40□□S	15LC0410-PR40□□S	15LC0410-NR40□□S	40	10.5	410	426
	15LC0460-E45□□S	15LC0460-PR45□□S	15LC0460-NR45□□S	45	11.5	460	476
	15LC0510-E50□□S	15LC0510-PR50□□S	15LC0510-NR50□□S	50	12.5	510	526
	15LC0560-E55□□S	15LC0560-PR55□□S	15LC0560-NR55□□S	55	13.5	560	576
	15LC0610-E60□□S	15LC0610-PR60□□S	15LC0610-NR60□□S	60	14.5	610	626
	15LC0660-E65□□S	15LC0660-PR65□□S	15LC0660-NR65□□S	65	15.5	660	676
	15LC0710-E70□□S	15LC0710-PR70□□S	15LC0710-NR70□□S	70	16.5	710	726
	15LC0760-E75□□S	15LC0760-PR75□□S	15LC0760-NR75□□S	75	17.5	760	776
	15LC0810-E80□□S	15LC0810-PR80□□S	15LC0810-NR80□□S	80	18.5	810	826
	15LC0860-E85□□S	15LC0860-PR85□□S	15LC0860-NR85□□S	85	19.5	860	876
	15LC0910-E90□□S	15LC0910-PR90□□S	15LC0910-NR90□□S	90	20.5	910	926
	15LC0960-E95□□S	15LC0960-PR95□□S	15LC0960-NR95□□S	95	21.5	960	976
	15LC1010-E100□□S	15LC1010-PR100□□S	15LC1010-NR100□□S	100	22.5	1010	1026
	15LC1060-E105□□S	15LC1060-PR105□□S	15LC1060-NR105□□S	105	23.5	1060	1076
	15LC1110-E110□□S	15LC1110-PR110□□S	15LC1110-NR110□□S	110	24.5	1110	1126
	15LC1160-E115□□S	15LC1160-PR115□□S	15LC1160-NR115□□S	115	25.5	1160	1176
	15LC1210-E120□□S	15LC1210-PR120□□S	15LC1210-NR120□□S	120	26.5	1210	1226
	15LC1260-E125□□S	15LC1260-PR125□□S	15LC1260-NR125□□S	125	27.5	1260	1276
	15LC1310-E130□□S	15LC1310-PR130□□S	15LC1310-NR130□□S	130	28.5	1310	1326
	15LC1360-E135□□S	15LC1360-PR135□□S	15LC1360-NR135□□S	135	29.5	1360	1376
	15LC1410-E140□□S	15LC1410-PR140□□S	15LC1410-NR140□□S	140	30.5	1410	1426
	15LC1460-E145□□S	15LC1460-PR145□□S	15LC1460-NR145□□S	145	31.5	1460	1476
	15LC1510-E150□□S	15LC1510-PR150□□S	15LC1510-NR150□□S	150	32.5	1510	1526
	15LC1560-E155□□S	15LC1560-PR155□□S	15LC1560-NR155□□S	155	33.5	1560	1576
	15LC1610-E160□□S	15LC1610-PR160□□S	15LC1610-NR160□□S	160	34.5	1610	1626
	15LC1660-E165□□S	15LC1660-PR165□□S	15LC1660-NR165□□S	165	35.5	1660	1676
	15LC1710-E170□□S	15LC1710-PR170□□S	15LC1710-NR170□□S	170	36.5	1710	1726
	15LC1760-E175□□S	15LC1760-PR175□□S	15LC1760-NR175□□S	175	37.5	1760	1776
	15LC1810-E180□□S	15LC1810-PR180□□S	15LC1810-NR180□□S	180	38.5	1810	1826
	15LC1860-E185□□S	15LC1860-PR185□□S	15LC1860-NR185□□S	185	39.5	1860	1876
	15LC1910-E190□□S	15LC1910-PR190□□S	15LC1910-NR190□□S	190	40.5	1910	1926



Front view



Top view

Total length of light curtain
 $S = (N \times 10 + 26)$ mm

N : Number of optical axes

10: Optical axis spacing

※The total length of the light curtain S does not include the mounting brackets on both ends. The standard airborne head length is 225mm. Maximum diameter of an aviation head is 16mm

※ n: Number of dots

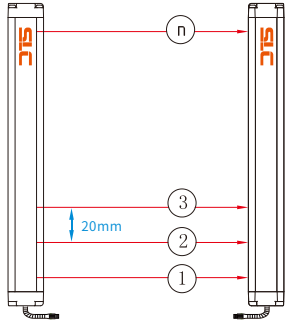
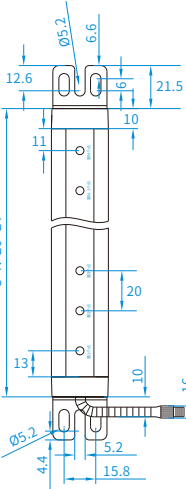
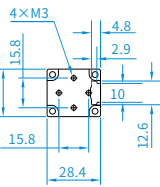
※Protection height: Effective height of the test rod (diameter equals the beam spacing) that can be detected = $(n+1) \times$ beam spacing

※ □□Select the number as distance, according to customer requirements, such as 02: 2 meters, 06:6 meters, 08:8 meters, 12:12 meters

※Subject to product configuration and manufacturing process, the actual size and weight of the product may be different, please refer to the actual product

※ The above are partial specifications

◆ 25LC series (Beam spacing: 20 mm, resolution: 25 mm) and mounting dimensions

Outline	Emitter	PNP type reception	NPN type reception	Number of optical axes	Response time (ms)	Protection height (mm)	Contour length (mm)
  <p>Front view</p>  <p>Top view</p>	25LC0180-E08□□S	25LC0180-PR08□□S	25LC0180-NR08□□S	8	4	180	184
	25LC0260-E12□□S	25LC0260-PR12□□S	25LC0260-NR12□□S	12	4.8	260	264
	25LC0340-E16□□S	25LC0340-PR16□□S	25LC0340-NR16□□S	16	5.6	340	344
	25LC0420-E20□□S	25LC0420-PR20□□S	25LC0420-NR20□□S	20	6.4	420	424
	25LC0500-E24□□S	25LC0500-PR24□□S	25LC0500-NR24□□S	24	7.2	500	504
	25LC0580-E28□□S	25LC0580-PR28□□S	25LC0580-NR28□□S	28	8	580	584
	25LC0660-E32□□S	25LC0660-PR32□□S	25LC0660-NR32□□S	32	8.8	660	664
	25LC0740-E36□□S	25LC0740-PR36□□S	25LC0740-NR36□□S	36	9.6	740	744
	25LC0820-E40□□S	25LC0820-PR40□□S	25LC0820-NR40□□S	40	10.4	820	824
	25LC0900-E44□□S	25LC0900-PR44□□S	25LC0900-NR44□□S	44	11.2	900	904
	25LC0980-E48□□S	25LC0980-PR48□□S	25LC0980-NR48□□S	48	12	980	984
	25LC1060-E52□□S	25LC1060-PR52□□S	25LC1060-NR52□□S	52	12.8	1060	1064
	25LC1140-E56□□S	25LC1140-PR56□□S	25LC1140-NR56□□S	56	13.6	1140	1144
	25LC1220-E60□□S	25LC1220-PR60□□S	25LC1220-NR60□□S	60	14.4	1220	1224
	25LC1300-E64□□S	25LC1300-PR64□□S	25LC1300-NR64□□S	64	15.2	1300	1304
	25LC1380-E68□□S	25LC1380-PR68□□S	25LC1380-NR68□□S	68	16	1380	1384
	25LC1460-E72□□S	25LC1460-PR72□□S	25LC1460-NR72□□S	72	16.8	1460	1464
	25LC1540-E76□□S	25LC1540-PR76□□S	25LC1540-NR76□□S	76	17.6	1540	1544
	25LC1620-E80□□S	25LC1620-PR80□□S	25LC1620-NR80□□S	80	18.4	1620	1624
	25LC1700-E84□□S	25LC1700-PR84□□S	25LC1700-NR84□□S	84	19.2	1700	1704
	25LC1780-E88□□S	25LC1780-PR88□□S	25LC1780-NR88□□S	88	20	1780	1784
	25LC1860-E92□□S	25LC1860-PR92□□S	25LC1860-NR92□□S	92	20.8	1860	1864
	25LC1940-E96□□S	25LC1940-PR96□□S	25LC1940-NR96□□S	96	21.6	1940	1944
	25LC2020-E100□□S	25LC2020-PR100□□S	25LC2020-NR100□□S	100	22.4	2020	2024
	25LC2100-E104□□S	25LC2100-PR104□□S	25LC2100-NR104□□S	104	23.2	2100	2104
25LC2180-E108□□S	25LC2180-PR108□□S	25LC2180-NR108□□S	108	24	2180	2184	
25LC2260-E112□□S	25LC2260-PR112□□S	25LC2260-NR112□□S	112	24.8	2260	2264	
25LC2340-E116□□S	25LC2340-PR116□□S	25LC2340-NR116□□S	116	25.6	2340	2344	
25LC2420-E120□□S	25LC2420-PR120□□S	25LC2420-NR120□□S	120	26.4	2420	2424	
25LC2500-E124□□S	25LC2500-PR124□□S	25LC2500-NR124□□S	124	27.2	2500	2504	
25LC2580-E128□□S	25LC2580-PR128□□S	25LC2580-NR128□□S	128	28	2580	2584	
25LC2660-E132□□S	25LC2660-PR132□□S	25LC2660-NR132□□S	132	28.8	2660	2664	
25LC2740-E136□□S	25LC2740-PR136□□S	25LC2740-NR136□□S	136	29.6	2740	2744	
25LC2820-E140□□S	25LC2820-PR140□□S	25LC2820-NR140□□S	140	30.4	2820	2824	
25LC2900-E144□□S	25LC2900-PR144□□S	25LC2900-NR144□□S	144	31.2	2900	2904	
25LC2980-E148□□S	25LC2980-PR148□□S	25LC2980-NR148□□S	148	32	2980	2984	
25LC3060-E152□□S	25LC3060-PR152□□S	25LC3060-NR152□□S	152	32.8	3060	3064	
25LC3140-E156□□S	25LC3140-PR156□□S	25LC3140-NR156□□S	156	33.6	3140	3144	

Total length of light curtain
 $S = (N \times 20 + 24)$ mm

N : Number of optical axes

20: Optical axis spacing

※The total length of the light curtain S does not include the mounting brackets on both ends. The standard airborne head length is 225mm. Maximum diameter of an aviation head is 16mm

※ n : Number of dots

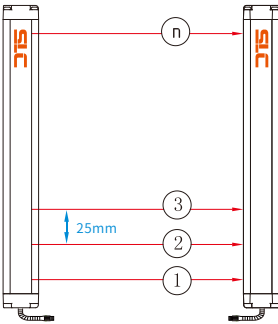
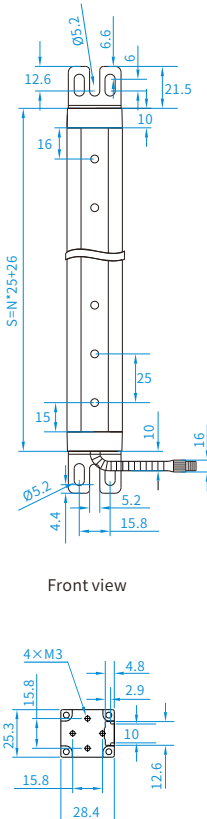
※Protection height: Effective height of the test rod (diameter equals the beam spacing) that can be detected = $(n+1) \times$ beam spacing

※ □□ Select the number as distance, according to customer requirements, such as 02: 2 meters, 06:6 meters, 08:8 meters, 12:12 meters

※Subject to product configuration and manufacturing process, the actual size and weight of the product may be different, please refer to the actual product

※ The above are partial specifications

◆ 30LC series (Beam spacing: 25 mm, resolution: 30 mm) and mounting dimensions

Outline	Emitter	PNP type reception	NPN type reception	Number of optical axes	Response time (ms)	Protection height (mm)	Contour length (mm)
  <p>Front view</p> <p>Top view</p>	30LC0125-E04□□S	30LC0125-PR04□□S	30LC0125-NR04□□S	4	3	125	126
	30LC0175-E06□□S	30LC0175-PR06□□S	30LC0175-NR06□□S	6	3.4	175	176
	30LC0225-E08□□S	30LC0225-PR08□□S	30LC0225-NR08□□S	8	3.8	225	226
	30LC0275-E10□□S	30LC0275-PR10□□S	30LC0275-NR10□□S	10	4.2	275	276
	30LC0325-E12□□S	30LC0325-PR12□□S	30LC0325-NR12□□S	12	4.6	325	326
	30LC0375-E14□□S	30LC0375-PR14□□S	30LC0375-NR14□□S	14	5	375	376
	30LC0425-E16□□S	30LC0425-PR16□□S	30LC0425-NR16□□S	16	5.4	425	426
	30LC0475-E18□□S	30LC0475-PR18□□S	30LC0475-NR18□□S	18	5.8	475	476
	30LC0525-E20□□S	30LC0525-PR20□□S	30LC0525-NR20□□S	20	6.2	525	526
	30LC0575-E22□□S	30LC0575-PR22□□S	30LC0575-NR22□□S	22	6.6	575	576
	30LC0625-E24□□S	30LC0625-PR24□□S	30LC0625-NR24□□S	24	7	625	626
	30LC0675-E26□□S	30LC0675-PR26□□S	30LC0675-NR26□□S	26	7.4	675	676
	30LC0725-E28□□S	30LC0725-PR28□□S	30LC0725-NR28□□S	28	7.8	725	726
	30LC0775-E30□□S	30LC0775-PR30□□S	30LC0775-NR30□□S	30	8.2	775	776
	30LC0825-E32□□S	30LC0825-PR32□□S	30LC0825-NR32□□S	32	8.6	825	826
	30LC0875-E34□□S	30LC0875-PR34□□S	30LC0875-NR34□□S	34	9	875	876
	30LC0925-E36□□S	30LC0925-PR36□□S	30LC0925-NR36□□S	36	9.4	925	926
	30LC0975-E38□□S	30LC0975-PR38□□S	30LC0975-NR38□□S	38	9.8	975	976
	30LC1025-E40□□S	30LC1025-PR40□□S	30LC1025-NR40□□S	40	10.2	1025	1026
	30LC1075-E42□□S	30LC1075-PR42□□S	30LC1075-NR42□□S	42	10.6	1075	1076
	30LC1125-E44□□S	30LC1125-PR44□□S	30LC1125-NR44□□S	44	11	1125	1126
	30LC1175-E46□□S	30LC1175-PR46□□S	30LC1175-NR46□□S	46	11.4	1175	1176
	30LC1225-E48□□S	30LC1225-PR48□□S	30LC1225-NR48□□S	48	11.8	1225	1226
	30LC1275-E50□□S	30LC1275-PR50□□S	30LC1275-NR50□□S	50	12.2	1275	1276
	30LC1325-E52□□S	30LC1325-PR52□□S	30LC1325-NR52□□S	52	12.6	1325	1326
	30LC1375-E54□□S	30LC1375-PR54□□S	30LC1375-NR54□□S	54	13	1375	1376
	30LC1425-E56□□S	30LC1425-PR56□□S	30LC1425-NR56□□S	56	13.4	1425	1426
	30LC1475-E58□□S	30LC1475-PR58□□S	30LC1475-NR58□□S	58	13.8	1475	1476
	30LC1525-E60□□S	30LC1525-PR60□□S	30LC1525-NR60□□S	60	14.2	1525	1526
	30LC1575-E62□□S	30LC1575-PR62□□S	30LC1575-NR62□□S	62	14.6	1575	1576
	30LC1625-E64□□S	30LC1625-PR64□□S	30LC1625-NR64□□S	64	15	1625	1626
	30LC1675-E66□□S	30LC1675-PR66□□S	30LC1675-NR66□□S	66	15.4	1675	1676
	30LC1725-E68□□S	30LC1725-PR68□□S	30LC1725-NR68□□S	68	15.8	1725	1726
	30LC1775-E70□□S	30LC1775-PR70□□S	30LC1775-NR70□□S	70	16.2	1775	1776
	30LC1825-E72□□S	30LC1825-PR72□□S	30LC1825-NR72□□S	72	16.6	1825	1826
	30LC1875-E74□□S	30LC1875-PR74□□S	30LC1875-NR74□□S	74	17	1875	1876
	30LC1925-E76□□S	30LC1925-PR76□□S	30LC1925-NR76□□S	76	17.4	1925	1926
	30LC1975-E78□□S	30LC1975-PR78□□S	30LC1975-NR78□□S	78	17.8	1975	1976
	30LC2025-E80□□S	30LC2025-PR80□□S	30LC2025-NR80□□S	80	18.2	2025	2026

Total length of light curtain
 $S = (N \times 25 + 26)$ mm

N : Number of optical axes
 30: Optical axis spacing

※The total length of the light curtain S does not include the mounting brackets on both ends. The standard airborne head length is 225mm. Maximum diameter of an aviation head is 16mm

※ n: Number of dots

※Protection height: Effective height of the test rod (diameter equals the beam spacing) that can be detected = $(n+1) \times$ beam spacing

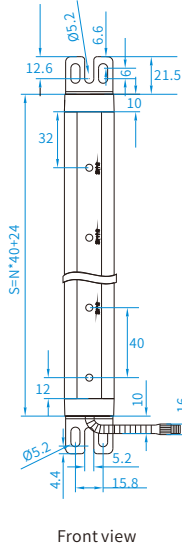
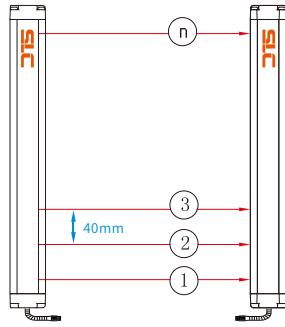
※ □□ Select the number as distance, according to customer requirements, such as 02: 2 meters, 06:6 meters, 08:8 meters, 12:12 meters

※ Subject to product configuration and manufacturing process, the actual size and weight of the product may be different, please refer to the actual product

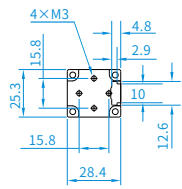
※ The above are partial specifications

◆ 45LC series (Beam spacing: 40 mm, resolution: 45 mm) and mounting dimensions

Outline	Emitter	PNP type reception	NPN type reception	Number of optical axes	Response time (ms)	Protection height (mm)	Contour length (mm)
	45LC0200-E04□□S	45LC0200-PR04□□S	45LC0200-NR04□□S	4	3	200	184
	45LC0280-E06□□S	45LC0280-PR06□□S	45LC0280-NR06□□S	6	3.4	280	264
	45LC0360-E08□□S	45LC0360-PR08□□S	45LC0360-NR08□□S	8	3.8	360	344
	45LC0440-E10□□S	45LC0440-PR10□□S	45LC0440-NR10□□S	10	4.2	440	424
	45LC0520-E12□□S	45LC0520-PR12□□S	45LC0520-NR12□□S	12	4.6	520	504
	45LC0600-E14□□S	45LC0600-PR14□□S	45LC0600-NR14□□S	14	5	600	584
	45LC0680-E16□□S	45LC0680-PR16□□S	45LC0680-NR16□□S	16	5.4	680	664
	45LC0760-E18□□S	45LC0760-PR18□□S	45LC0760-NR18□□S	18	5.8	760	744
	45LC0840-E20□□S	45LC0840-PR20□□S	45LC0840-NR20□□S	20	6.2	840	824
	45LC0920-E22□□S	45LC0920-PR22□□S	45LC0920-NR22□□S	22	6.6	920	904
	45LC1000-E24□□S	45LC1000-PR24□□S	45LC1000-NR24□□S	24	7	1000	984
	45LC1080-E26□□S	45LC1080-PR26□□S	45LC1080-NR26□□S	26	7.4	1080	1064
	45LC1160-E28□□S	45LC1160-PR28□□S	45LC1160-NR28□□S	28	7.8	1160	1144
	45LC1240-E30□□S	45LC1240-PR30□□S	45LC1240-NR30□□S	30	8.2	1240	1224
	45LC1320-E32□□S	45LC1320-PR32□□S	45LC1320-NR32□□S	32	8.6	1320	1304
	45LC1400-E34□□S	45LC1400-PR34□□S	45LC1400-NR34□□S	34	9	1400	1384
	45LC1480-E36□□S	45LC1480-PR36□□S	45LC1480-NR36□□S	36	9.4	1480	1464
	45LC1560-E38□□S	45LC1560-PR38□□S	45LC1560-NR38□□S	38	9.8	1560	1544
	45LC1640-E40□□S	45LC1640-PR40□□S	45LC1640-NR40□□S	40	10.2	1640	1624
	45LC1720-E42□□S	45LC1720-PR42□□S	45LC1720-NR42□□S	42	10.6	1720	1704
	45LC1800-E44□□S	45LC1800-PR44□□S	45LC1800-NR44□□S	44	11	1800	1784
	45LC1880-E46□□S	45LC1880-PR46□□S	45LC1880-NR46□□S	46	11.4	1880	1864
	45LC1960-E48□□S	45LC1960-PR48□□S	45LC1960-NR48□□S	48	11.8	1960	1944
	45LC2040-E50□□S	45LC2040-PR50□□S	45LC2040-NR50□□S	50	12.2	2040	2024
	45LC2120-E52□□S	45LC2120-PR52□□S	45LC2120-NR52□□S	52	12.6	2120	2104
	45LC2200-E54□□S	45LC2200-PR54□□S	45LC2200-NR54□□S	54	13	2200	2184
	45LC2280-E56□□S	45LC2280-PR56□□S	45LC2280-NR56□□S	56	13.4	2280	2264
	45LC2360-E58□□S	45LC2360-PR58□□S	45LC2360-NR58□□S	58	13.8	2360	2344
	45LC2440-E60□□S	45LC2440-PR60□□S	45LC2440-NR60□□S	60	14.2	2440	2424
	45LC2520-E62□□S	45LC2520-PR62□□S	45LC2520-NR62□□S	62	14.6	2520	2504
	45LC2600-E64□□S	45LC2600-PR64□□S	45LC2600-NR64□□S	64	15	2600	2584
	45LC2680-E66□□S	45LC2680-PR66□□S	45LC2680-NR66□□S	66	15.4	2680	2664
	45LC2760-E68□□S	45LC2760-PR68□□S	45LC2760-NR68□□S	68	15.8	2760	2744
	45LC2840-E70□□S	45LC2840-PR70□□S	45LC2840-NR70□□S	70	16.2	2840	2824
	45LC2920-E72□□S	45LC2920-PR72□□S	45LC2920-NR72□□S	72	16.6	2920	2904
	45LC3000-E74□□S	45LC3000-PR74□□S	45LC3000-NR74□□S	74	17	3000	2984
	45LC3080-E76□□S	45LC3080-PR76□□S	45LC3080-NR76□□S	76	17.4	3080	3064
	45LC3160-E78□□S	45LC3160-PR78□□S	45LC3160-NR78□□S	78	17.8	3160	3144
	45LC3240-E80□□S	45LC3240-PR80□□S	45LC3240-NR80□□S	80	18.2	3240	3224
	45LC3320-E82□□S	45LC3320-PR82□□S	45LC3320-NR82□□S	82	18.6	3320	3304
	45LC3400-E84□□S	45LC3400-PR84□□S	45LC3400-NR84□□S	84	19	3400	3384



Front view



Top view

Total length of light curtain
 $S = (N \times 40 + 24)$ mm

N : Number of optical axes

40: Optical axis spacing

※The total length of the light curtain S does not include the mounting brackets on both ends. The standard airborne head length is 225mm. Maximum diameter of an aviation head is 16mm

※ n: Number of dots

※Protection height: Effective height of the test rod (diameter equals the beam spacing) that can be detected = $(n+1) \times$ beam spacing

※ □□ Select the number as distance, according to customer requirements, such as 02: 2 meters, 06:6 meters, 08:8 meters, 12:12 meters

※Subject to product configuration and manufacturing process, the actual size and weight of the product may be different, please refer to the actual product

※ The above are partial specifications